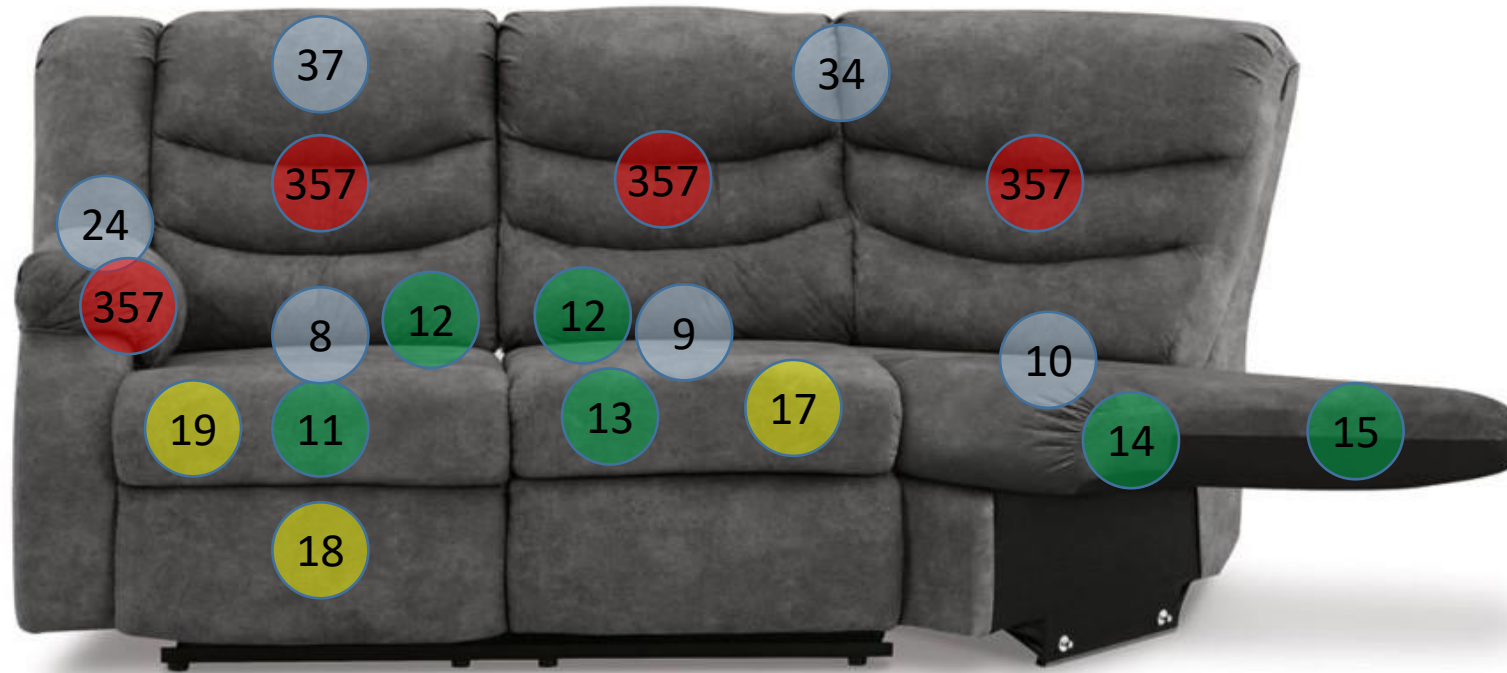


# 3690348

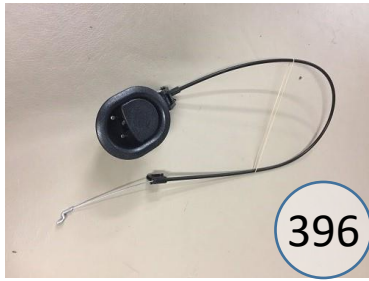


Call Out	Description
●	Blown Fiber
●	Cushion Chaise Pad - top Pad
●	Cushion Foam
●	KD Component
●	Cover

*Signature*  
DESIGN  
BY **ASHLEY**®



425



396



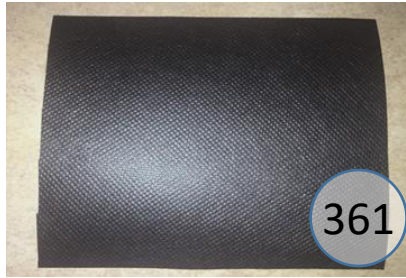
149



434



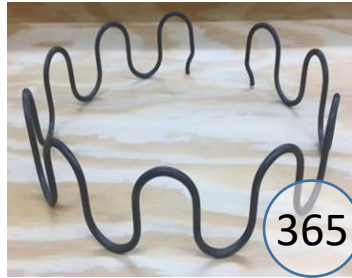
438



361



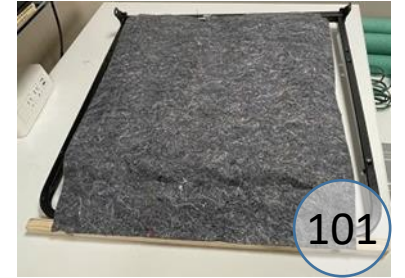
108



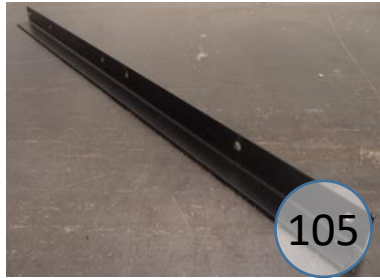
365



426



101



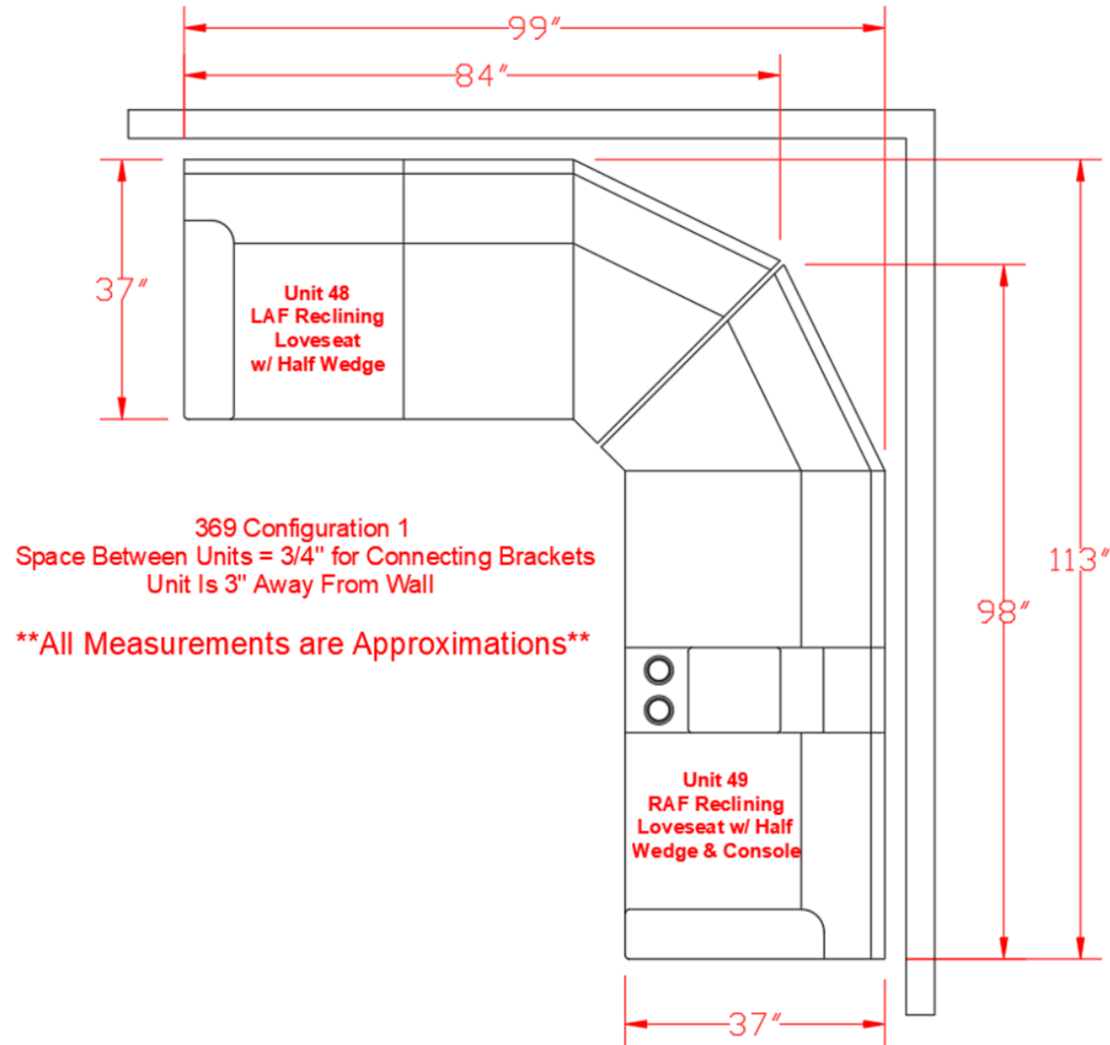
105



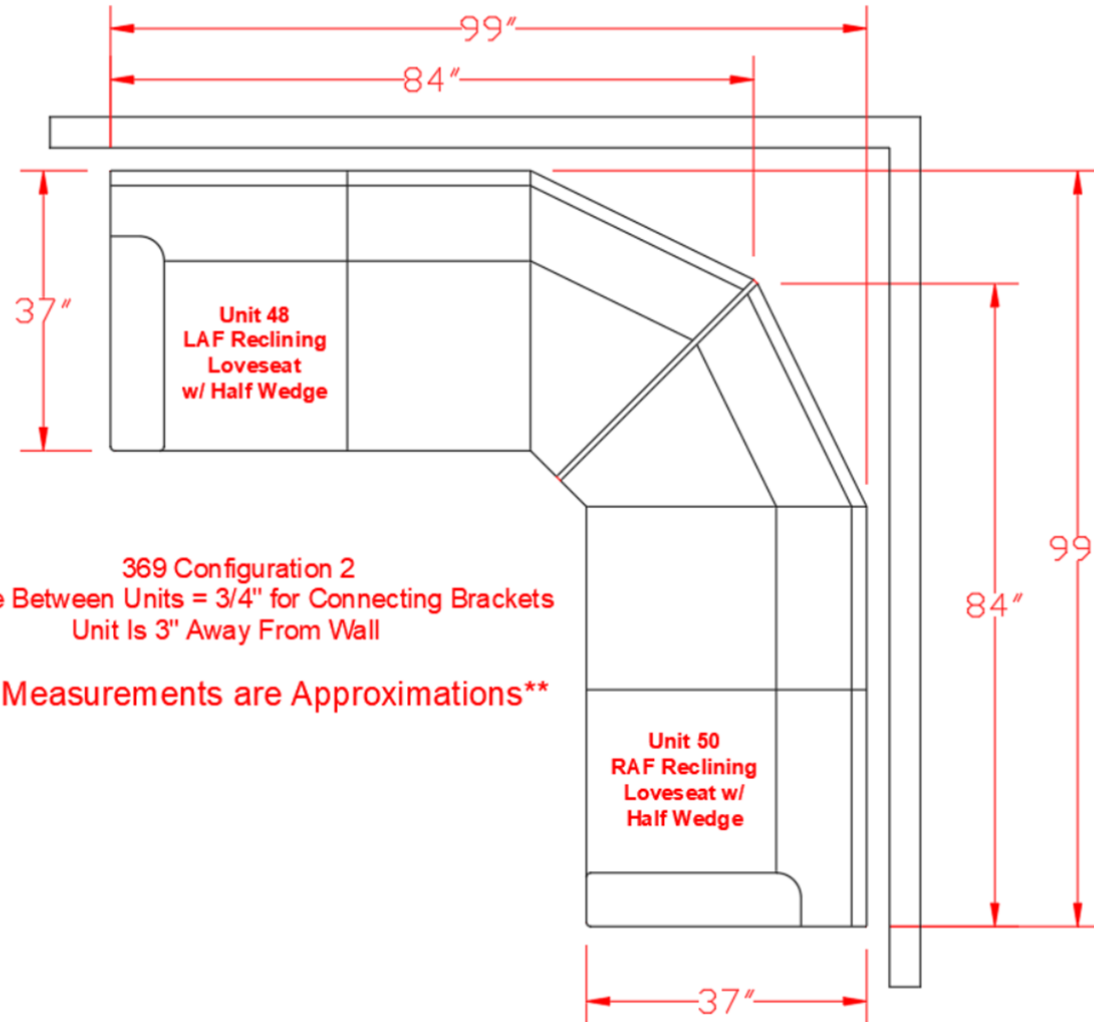
134

*Signature*  
DESIGN  
BY **ASHLEY**®

**369 SECTIONAL  
DIMENSIONS  
2 PIECE  
CONFIGURATION**



**369 SECTIONAL  
DIMENSIONS  
2 PIECE  
CONFIGURATION**



369 Configuration 2  
Space Between Units = 3/4" for Connecting Brackets  
Unit Is 3" Away From Wall

**\*\*All Measurements are Approximations\*\***