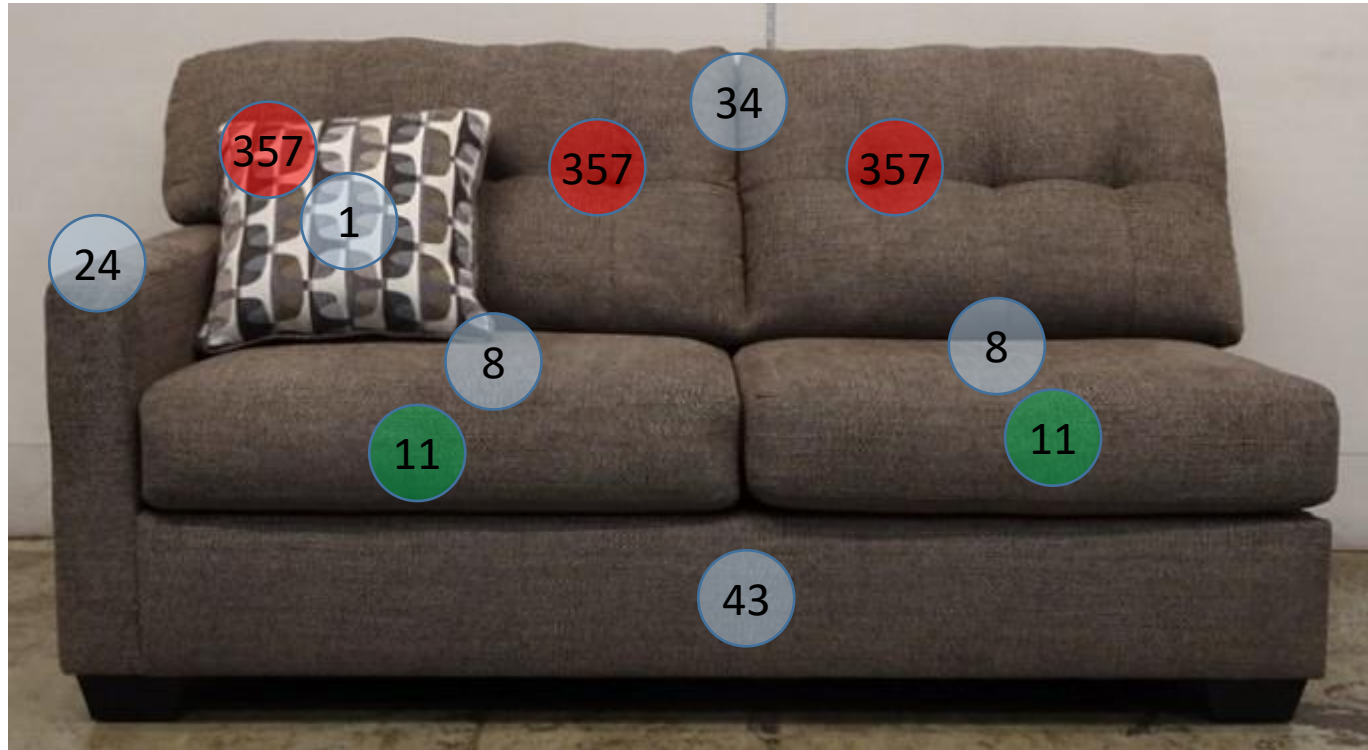
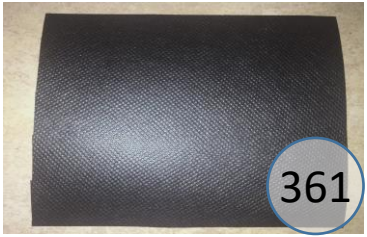


3100566

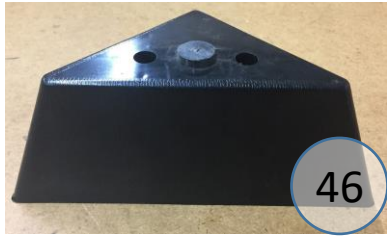


Call Out	Description
● (Red)	Blown Fiber
● (Yellow)	Cushion Chaise Pad - top Pad
● (Green)	Cushion Foam
● (Yellow)	KD Component
● (Blue)	Cover

*Signature*  
DESIGN  
BY **ASHLEY**®



361



46



433



170



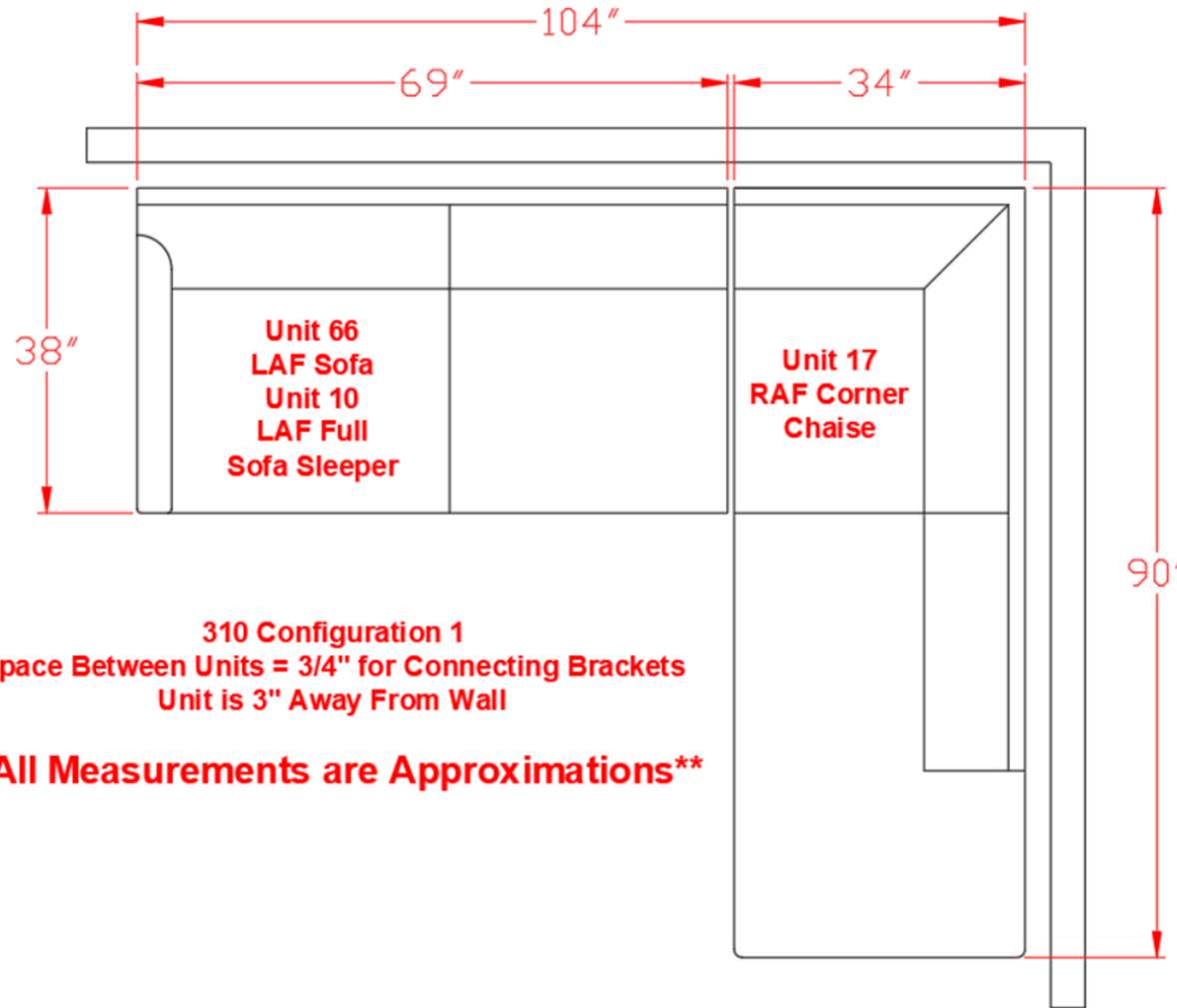
400



499

*Signature*  
DESIGN  
BY **ASHLEY**®

**310 SECTIONAL  
DIMENSIONS  
2 PIECE  
CONFIGURATION**



**310 Configuration 1**  
Space Between Units = 3/4" for Connecting Brackets  
Unit is 3" Away From Wall  
**\*\*All Measurements are Approximations\*\***



**310 SECTIONAL  
DIMENSIONS  
2 PIECE  
CONFIGURATION**

