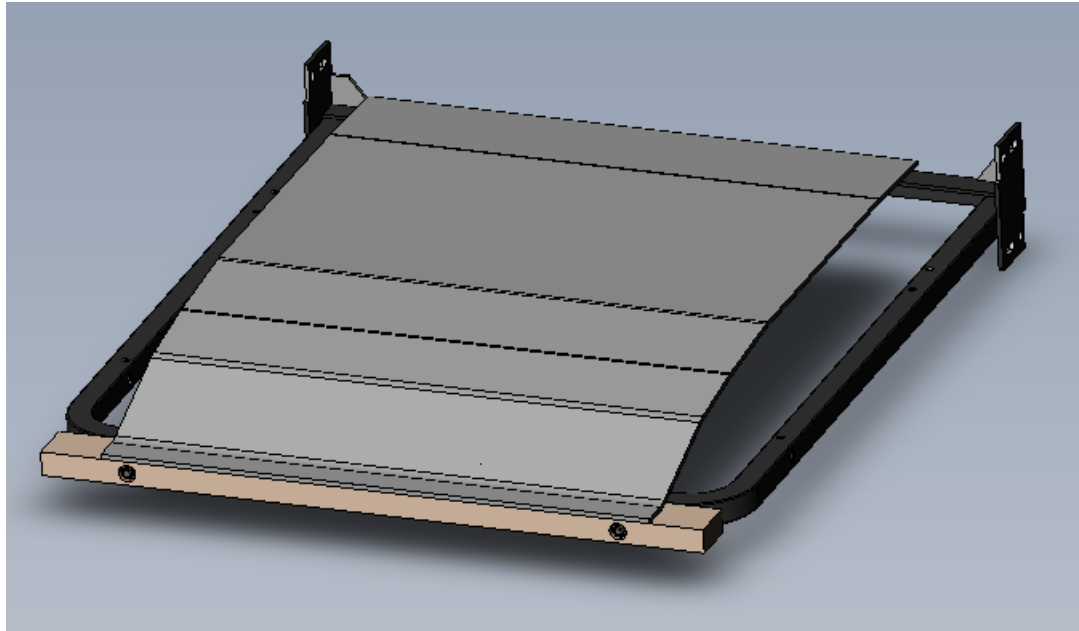
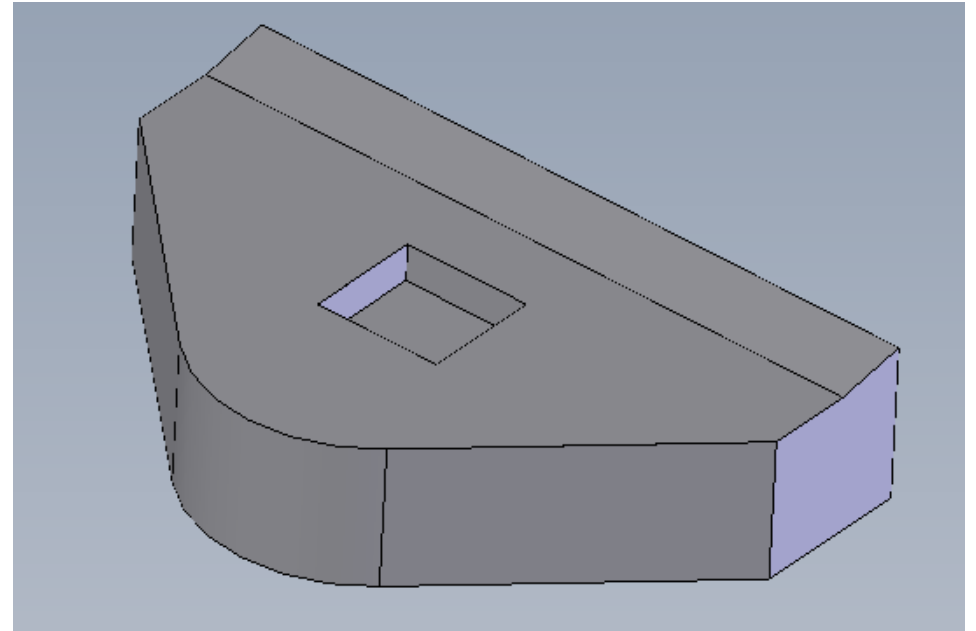


101



110



102 Details

