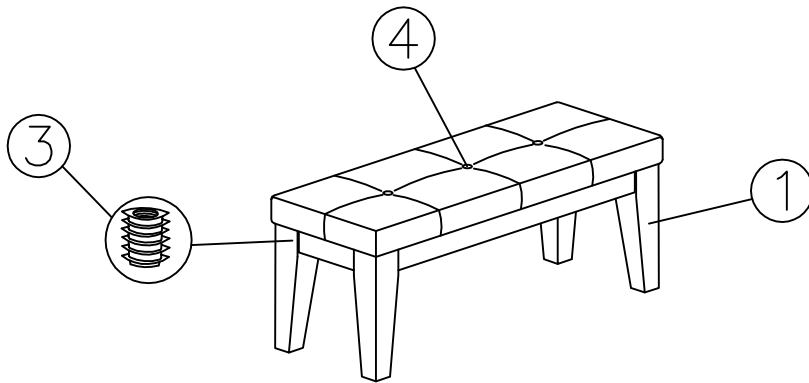




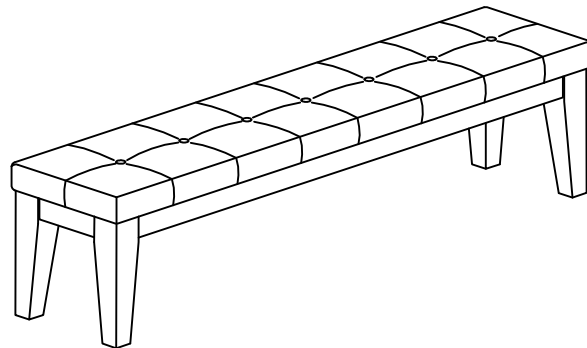
REPLACEMENT PART DESCRIPTION FORM

MODEL #: D442-00/09

PART#	DESCRIPTION	USED ON:	MRP#	MATERIAL	QTY.	FACTORY USE ONLY!!	
						PACK	P/M
1	Leg	D442-00/09	R13514	Wood	4 PC(S)	F	M
3	Insert (5/16" x 25mm)	D442-00/09	R17245	Metal	8 PC(S)	G	P
4	Button	D442-00	R18256	PVC & Metal	3 PC(S)	G	P
		D442-09			7 PC(S)	G	P
5	Hardware Pack	D442-00/09	R13515	5/16"x64mm Allen Bolt(8) 5/16" Lock Washer (8) 5/16" Flat Washer (8) 5mm Allen Wrench(1)	1 PC(S)	G	P



D442-00



D442-09