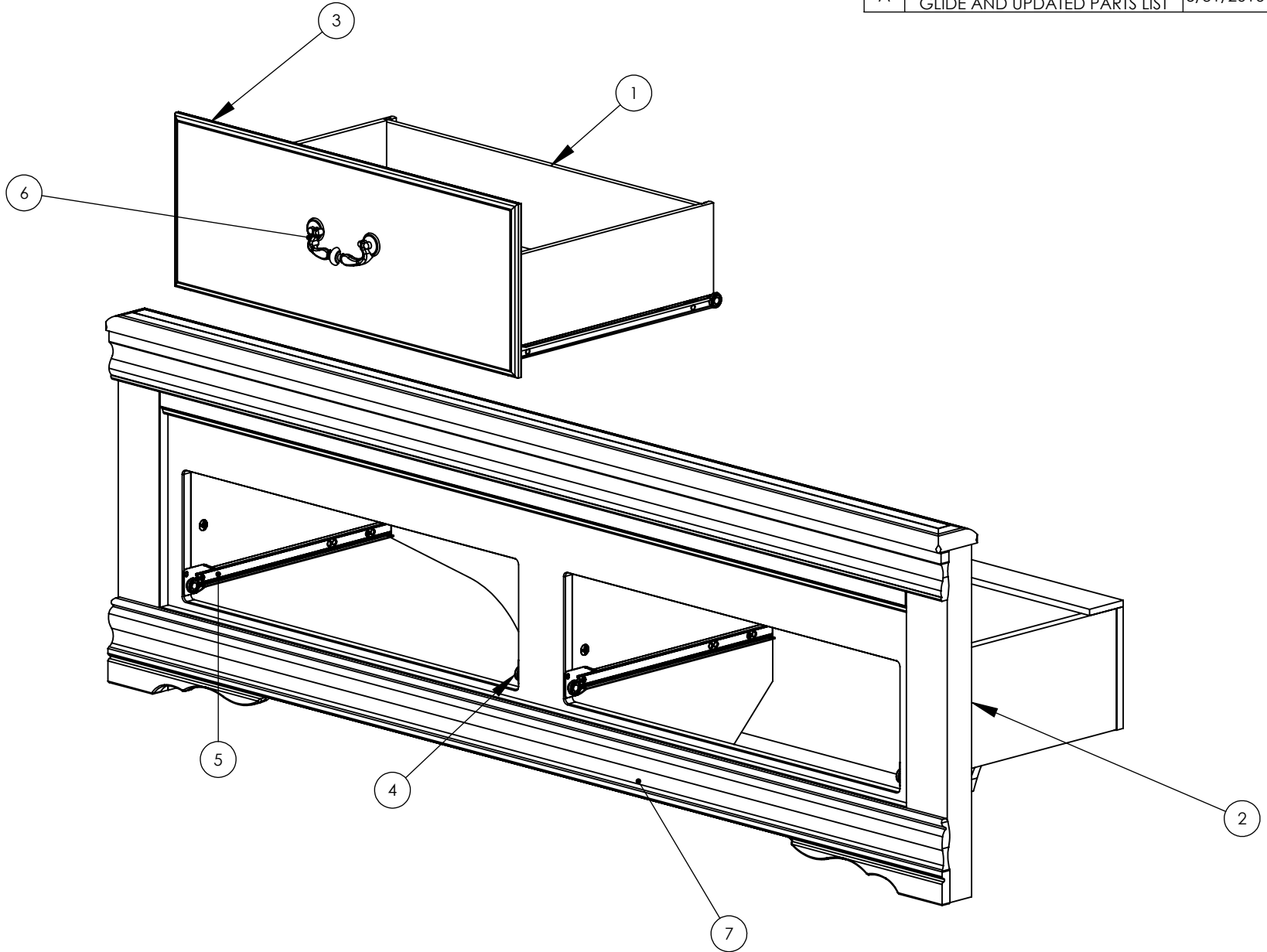



Item#	Qty	Description	MATERIAL
1	2	DRAWER ASSEMBLY	WOOD, METAL
2	2	BEDLOCK	METAL
3	4	BLACK FELT PAD	FABRIC
4	2	RIGHT CABINET GLIDE	METAL, PLASTIC
5	2	LEFT CABINET GLIDE	METAL, PLASTIC
6	2	HANDLE	METAL
7	1	WRAP FRONT BASESTRIP	WOOD

A



Dwg#: 33951			
Scale: 1:10		TOLERANCES ARE: METRIC..... +.5 / -.5mm DECIMAL..... 0 / -.005" FRACTIONAL..... +0 / -1/32" (UNLESS OTHERWISE SPECIFIED)	
Date: 8/16/2011		Desc: Strg Footboard	
Rev.	Description	Date	Cad/Eng
A	CABINET GLIDE WAS DRAWER GLIDE AND UPDATED PARTS LIST	5/31/2016	LB/TH