

Item#	Qty	Description	MATERIAL
1	1	TOP ASSEMBLY	WOOD
2	2	***DRAWER ASSEMBLY***	WOOD, METAL
3	1	***BASESTRIP***	WOOD
4	4	FELT PAD	FABRIC
5	2	CHANNEL MOULDING	PLASTIC
6	2	RIGHT CABINET GLIDE	METAL, PLASTIC
7	2	LEFT CABINET GLIDE	METAL, PLASTIC
8	2	HANDLE	METAL

△ C

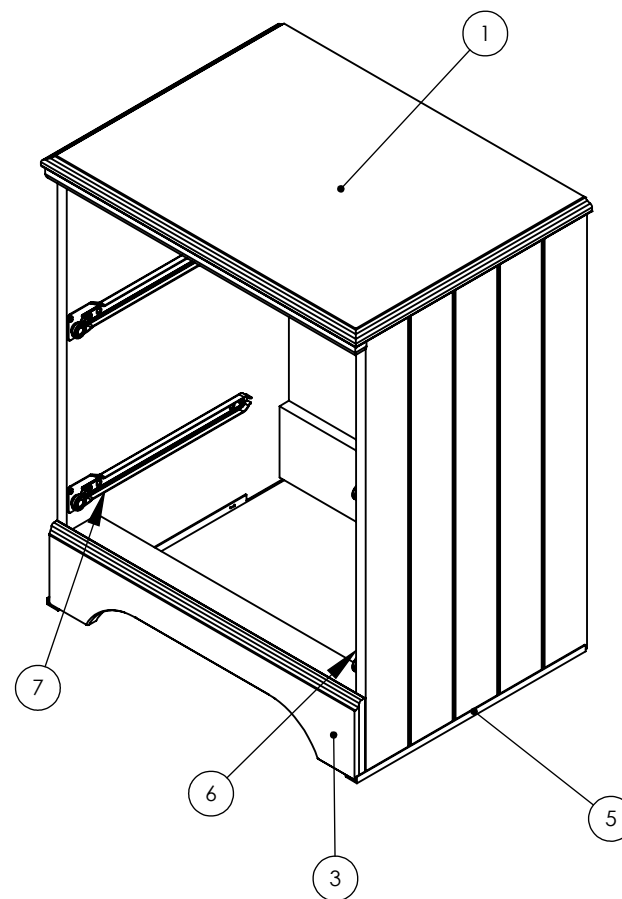
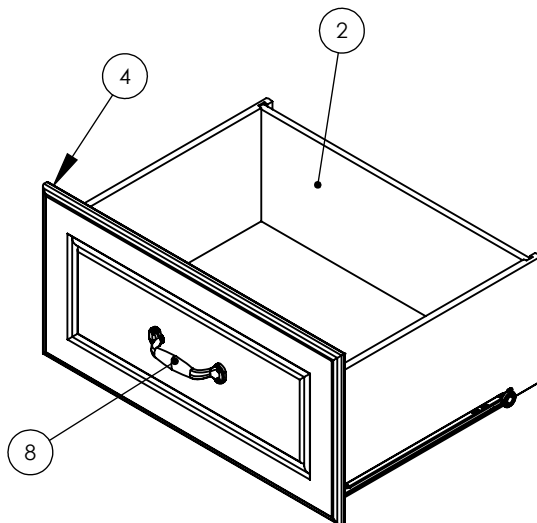
B102-92

USE DRAWER FRONT 133634 BEFORE 10/8/12
 USE DRAWER FRONT 134302 AFTER 10/8/12 AND BEFORE 7/24/13
 USE DRAWER FRONT 190208 AFTER 7/24/13
 USE BASESTRIP 133635 BEFORE 2/24/2019
 USE BASESTRIP 191257 AFTER 2/24/2019

△ A △ B △ D

B103-92

USE DRAWER FRONT 133640 BEFORE 10/8/12
 USE DRAWER FRONT 134303 AFTER 10/8/12 AND BEFORE 7/24/13
 USE DRAWER FRONT 190149 AFTER 7/24/13
 USE BASESTRIP 133641 BEFORE 2/24/2019
 USE BASESTRIP 191244 AFTER 2/24/2019



Dwg#: 33828			
Scale: 1:20	TOLERANCES ARE: METRIC: +.5 / -.5mm DECIMAL: 0 / -.005" FRACTIONAL: +0 / -1/32" (UNLESS OTHERWISE SPECIFIED)		
Date: 12/20/2010	Desc: Nightstand		
Rev.	Description	Date	Cad/Eng
A	ADDED DRAWER FRONT NOTES	9/25/2012	BJB
B	ADDED DRAWER FRONT 190208 & 190149 WITH EFFECTIVE DATES	7/19/2013	AFB
C	CABINET GLIDE WAS DRAWER GLIDE AND UPDATED PARTS LIST	6/6/2016	LB/TH
D	ADDED BASESTRIP NOTES	1/24/2019	AJM/JR