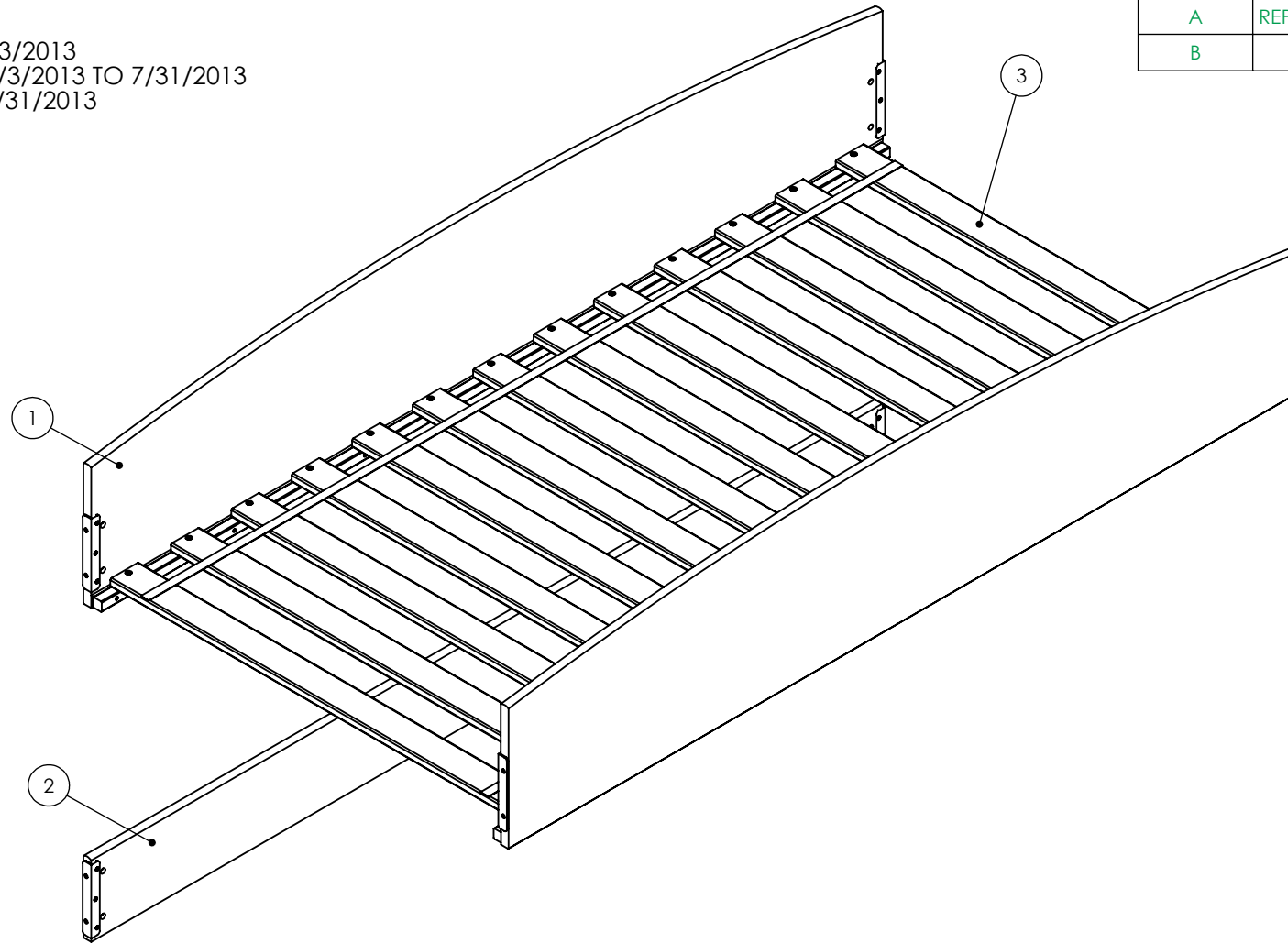
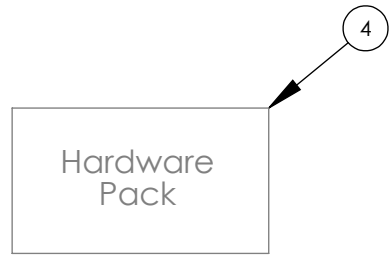


ITEM #	QTY.	DESCRIPTION
1	2	SIDE PANEL KIT
2	1	SIDE RAIL KIT
3	1	**ROLL SLAT**
4	1	**HARDWARE PACK**



\*\*USE ROLL SLAT 02826 (QTY 1) UNTIL 7/3/2013  
 \*\*USE PLATFORM 142268 (QTY 5) FROM 7/3/2013 TO 7/31/2013  
 \*\*USE ROLL SLAT 02826 (QTY 1) AFTER 7/31/2013

\*\*USE HARDWARE PACK 133322 UNTIL 7/3/2013  
 \*\*USE HARDWARE PACK 142267 FROM 7/3/2013 TO 7/31/2013  
 \*\*USE HARDWARE PACK 133322 AFTER 7/31/2013



—▶ HIDDEN  
 —● VISIBLE

Dwg#: **33587**  
 Scale: 1:10  
 Date: 10/5/2009  
 Desc: LOFT BED CS

**ASHLEY**  
 Furniture Industries Inc.

TOLERANCES ARE:  
 METRIC:..... +.5 / -.5mm  
 DECIMAL:..... 0 / -.005"  
 FRACTIONAL:..... +0/ -.1/32"  
 (UNLESS OTHERWISE SPECIFIED)

Work Order: XXXXXXXX

Rev.	Description	Date	Cad/Eng
A	REPLACED PLATFORM WITH ROLL SLAT	4/15/2011	TH/CE
B	ADDED NOTES	7/8/2013	TH