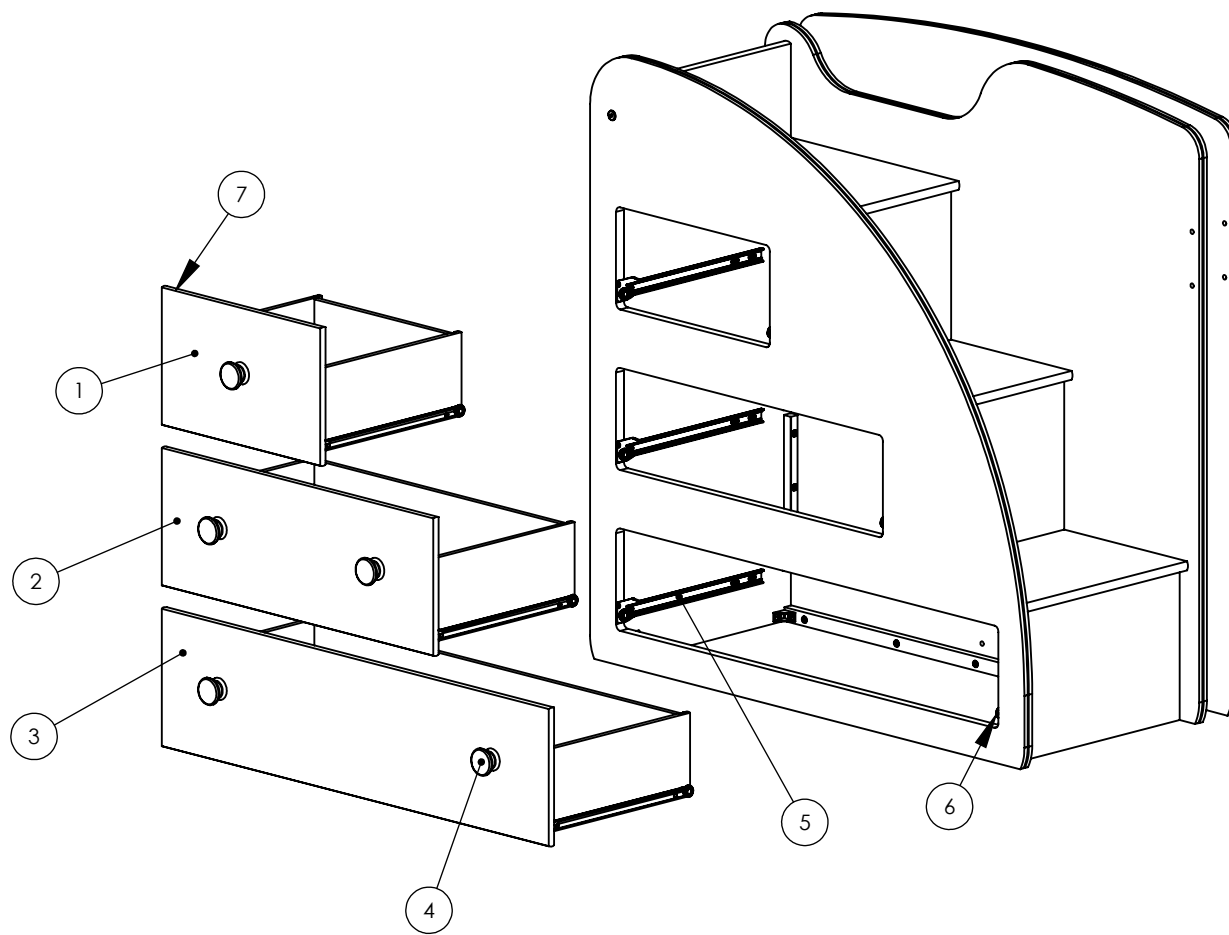


Item#	Qty	Description	MATERIAL
1	1	DRAWER #1	WOOD, METAL
2	1	DRAWER #2	WOOD, METAL
3	1	DRAWER #3	WOOD, METAL
4	5	KNOB	METAL
5	3	LEFT CABINET GLIDE	METAL, PLASTIC
6	3	RIGHT CABINET GLIDE	METAL, PLASTIC
7	6	FELT PAD	FABRIC
8	1	TIPPING RESTRAINT	PLASTIC



Dwg#: <b>33585</b>			
Scale: 1:10	TOLERANCES ARE: METRIC: ..... +.5 / -.5mm DECIMAL: ..... 0 / -.005" FRACTIONAL: ..... +0 / -1/32" (UNLESS OTHERWISE SPECIFIED)		
Date: 10/7/2009	Desc: Lf Step Loft		
Rev.	Description	Date	Cad/Eng
A	ADDED TIPPING RESTRAINT	1/11/2010	ANT
B	UPDATED PRINT	6/20/2014	NP/TH
C	CABINET GLIDE WAS DRAWER GLIDE AND UPDATED PARTS LIST	6/6/2016	LB/TH



TIPPING RESTRAINT ← 8