

Item#	Qty	Description	MATERIAL
1	1	(DRWA) TOP DRAWER ASSEMBLY	WOOD, METAL
2	1	(DRWB) BOTTOM DRAWER ASSEMBLY	WOOD, METAL
3	1	TOP ASSEMBLY	WOOD
4	1	TOP FRONT RAIL	WOOD
5	1	BASESTRIP	WOOD
6	1	URETHANE APPLIQUE	URETHANE
7	1	UNIT BACK	WOOD
8	4	BLACK FELT PAD	FABRIC
9	2	CHANNEL MOULDING	PLASTIC
10	2	RIGHT CABINET GLIDE	METAL, PLASTIC
11	2	LEFT CABINET GLIDE	METAL, PLASTIC
12	2	HANDLE	METAL

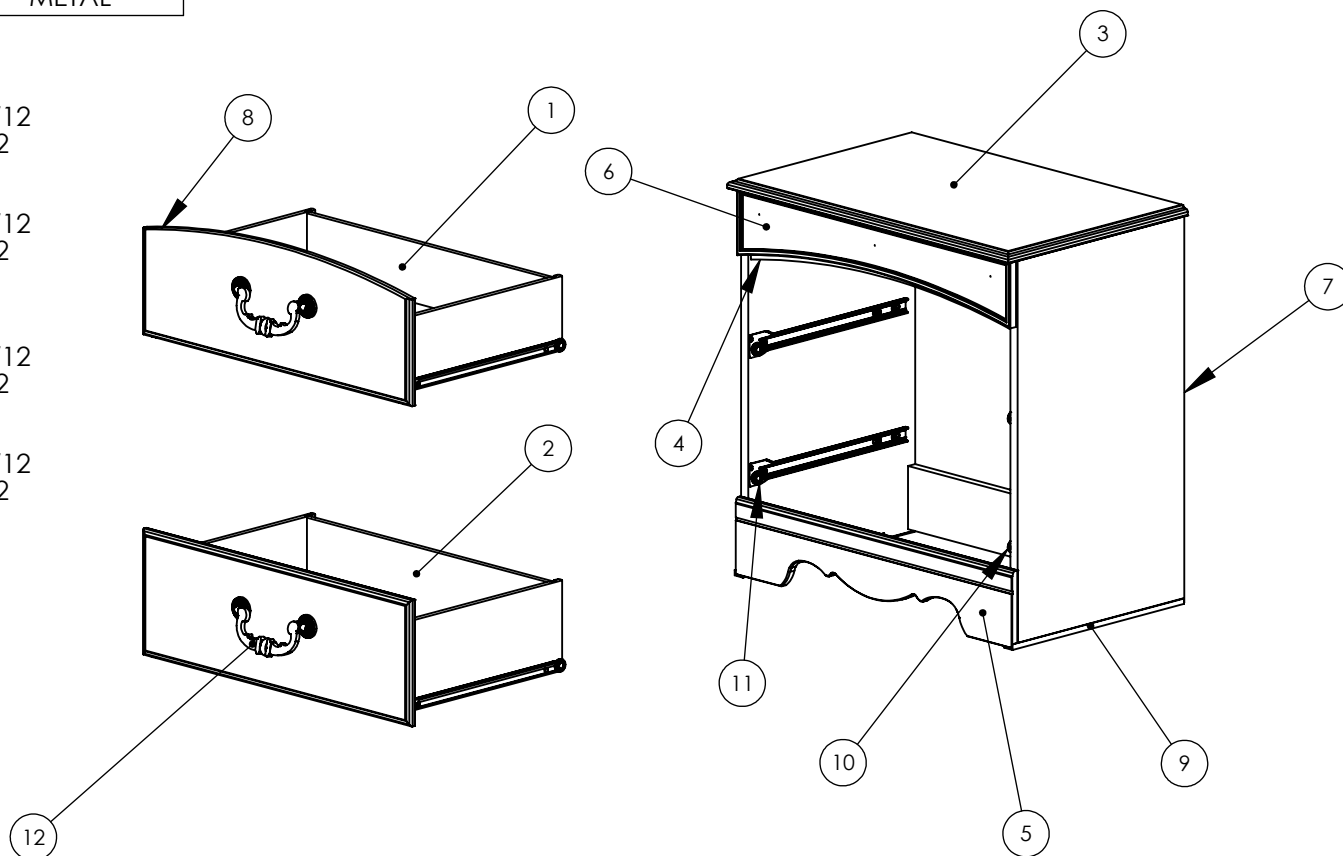


B105-92 DRWA
 USE DRAWER FRONT 114214 BEFORE 10/15/12
 USE DRAWER FRONT 134308 AFTER 10/15/12

B105-92 DRWB
 USE DRAWER FRONT 114213 BEFORE 10/15/12
 USE DRAWER FRONT 134306 AFTER 10/15/12

B196-92 DRWA
 USE DRAWER FRONT 151912 BEFORE 10/15/12
 USE DRAWER FRONT 134309 AFTER 10/15/12

B196-92 DRWB
 USE DRAWER FRONT 151911 BEFORE 10/15/12
 USE DRAWER FRONT 134307 AFTER 10/15/12



Dwg#: 33523			
Scale: 1:9	TOLERANCES ARE: METRIC..... +.5 / -.5mm DECIMAL..... 0 / -.005" FRACTIONAL..... +0 / -1/32" (UNLESS OTHERWISE SPECIFIED)		
Date: 3/25/2013	Desc: Nightstand		
Rev.	Description	Date	Cad/Eng
A	REMOVED PART NUMBER FIELD	11/8/2010	JJF
B	ADDED DRAWER FRONT NOTES	9/27/2012	BJB
C	UPDATED PRINT	7/22/2014	NP/JR
D	CABINET GLIDE WAS DRAWER GLIDE AND UPDATED PARTS LIST	6/6/2016	LB/TH