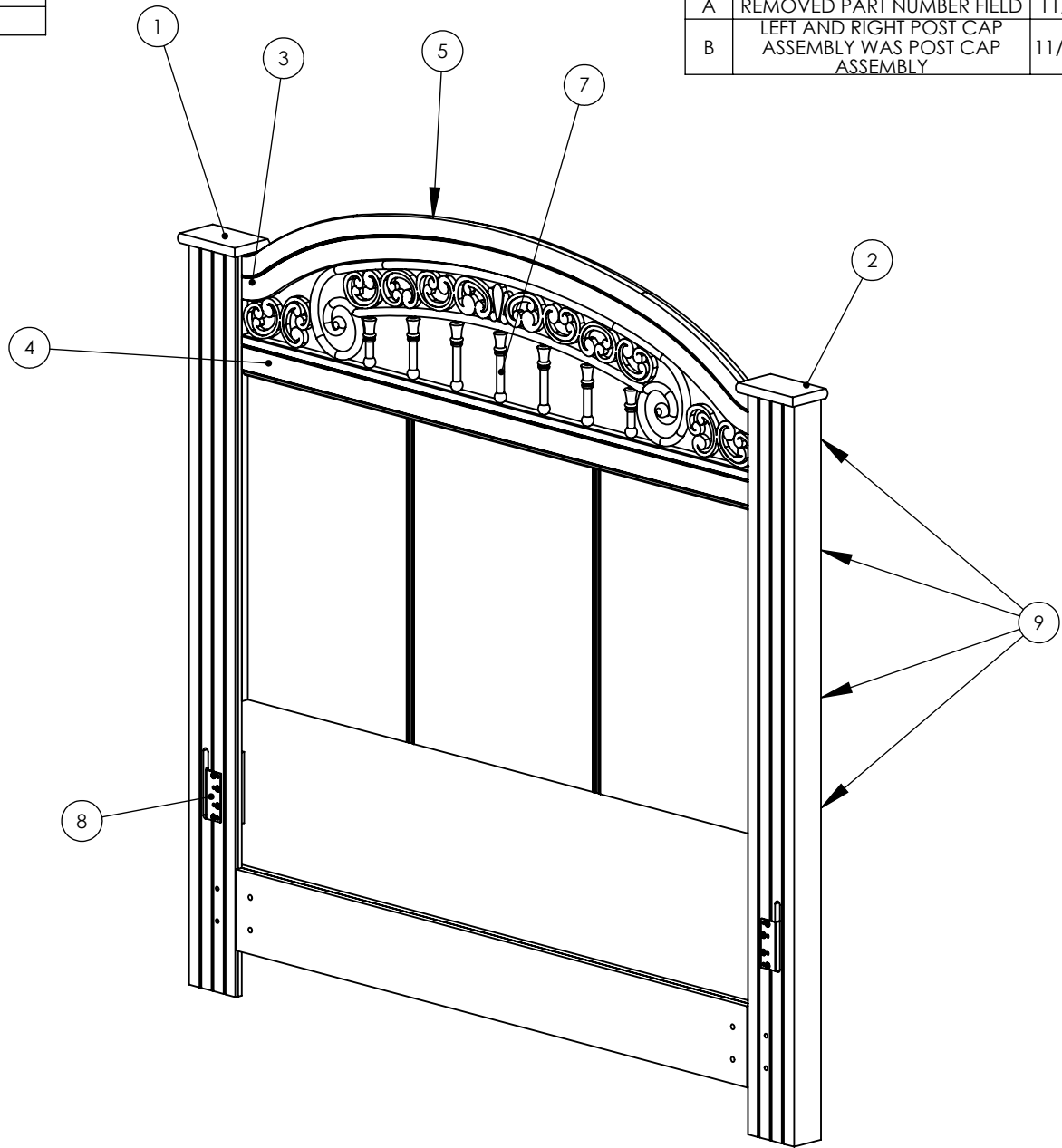


ITEM #	QTY.	DESCRIPTION
1	1	LEFT POST CAP ASSEMBLY
2	1	RIGHT POST CAP ASSEMBLY
3	2	SPACER RAIL
4	1	TOP MOULDING
5	1	CROWN ASSEMBLY
6	1	ALLEN WRENCH
7	1	PLASTIC INSERT
8	2	SINGLE BEDLOCK
9	8	30MM ZINC JOINT CONNECTOR



Dwg#: <b>33521</b>			
Scale: 1:13	TOLERANCES ARE: METRIC:..... +.5 / -.5mm DECIMAL:..... 0 / -.005" FRACTIONAL:..... +0 / -1/32" (UNLESS OTHERWISE SPECIFIED)		
Date: 3/25/2013	Desc: Headboard		
Rev.	Description	Date	Cad/Eng
A	REMOVED PART NUMBER FIELD	11/8/2010	JJF
B	LEFT AND RIGHT POST CAP ASSEMBLY WAS POST CAP ASSEMBLY	11/22/2010	JJF/CE



ALLEN WRENCH → (6)