
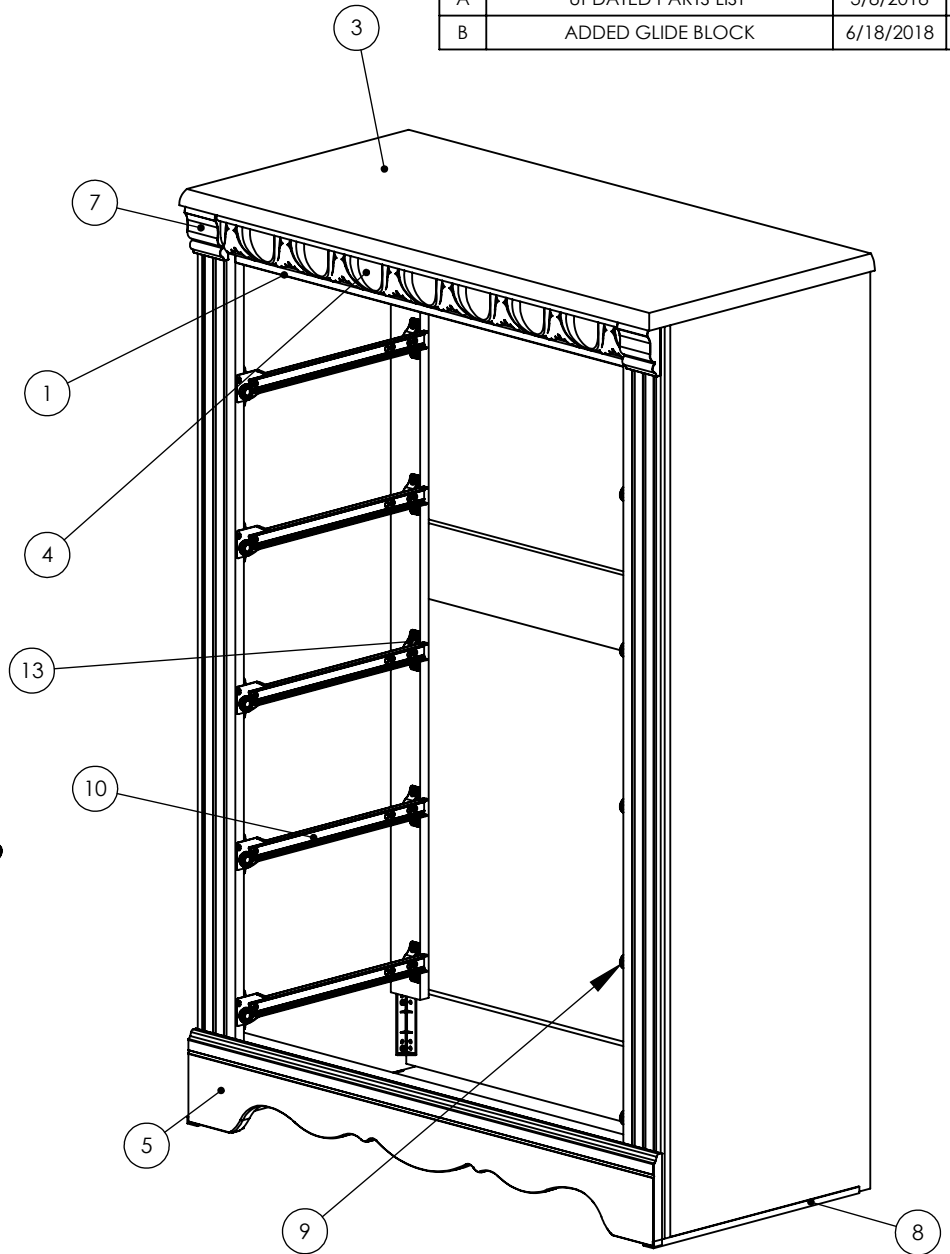


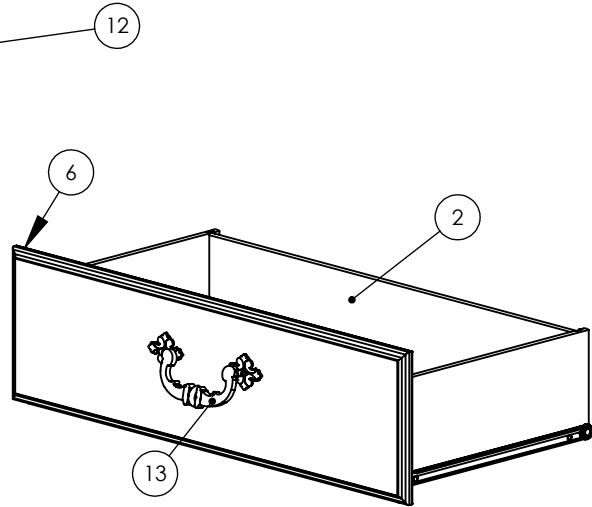
Item#	Qty	Description	MATERIAL
1	1	TOP RAIL KIT	WOOD
2	5	DRAWER KIT	WOOD/METAL
3	1	TOP	WOOD
4	1	URETHANE MOULDING	URETHANE
5	1	BASESTRIP	WOOD
6	10	BLACK FELT PAD	FABRIC
7	2	SMALL CASE URETHANE CORBEL	URETHANE
8	2	CHANNEL MOULDING	PLASTIC
9	5	RIGHT DRAWER GLIDE	METAL
10	5	LEFT DRAWER GLIDE	METAL
11	1	TIPPING RESTRIANT	PLASTIC
12	5	HANDLE	METAL
13	20	GLIDE BLOCK	PLASTIC

Dwg#: <b>32426</b>			
Scale: 1:10		TOLERANCES ARE: METRIC: +.5 / -.5mm DECIMAL: 0 / -.005" FRACTIONAL: +0 / -1/32" (UNLESS OTHERWISE SPECIFIED)	
Date: 10/2/2015		Desc: Chest	
Rev.	Description	Date	Cad/Eng
A	UPDATED PARTS LIST	3/8/2018	AJM/JR
B	ADDED GLIDE BLOCK	6/18/2018	BJB/TH

△ B



TIPPING RESTRAINT



△ A

\*\*\*DRAWER GLIDES\*\*\*  
 USE RIGHT BRACKET GLIDE 04644 BEFORE 3/28/17  
 USE RIGHT DRAWER GLIDE 01596 AFTER 3/28/17  
 USE LEFT BRACKET GLIDE 04645 BEFORE 3/28/17  
 USE LEFT DRAWER GLIDE 01597 AFTER 3/28/17