
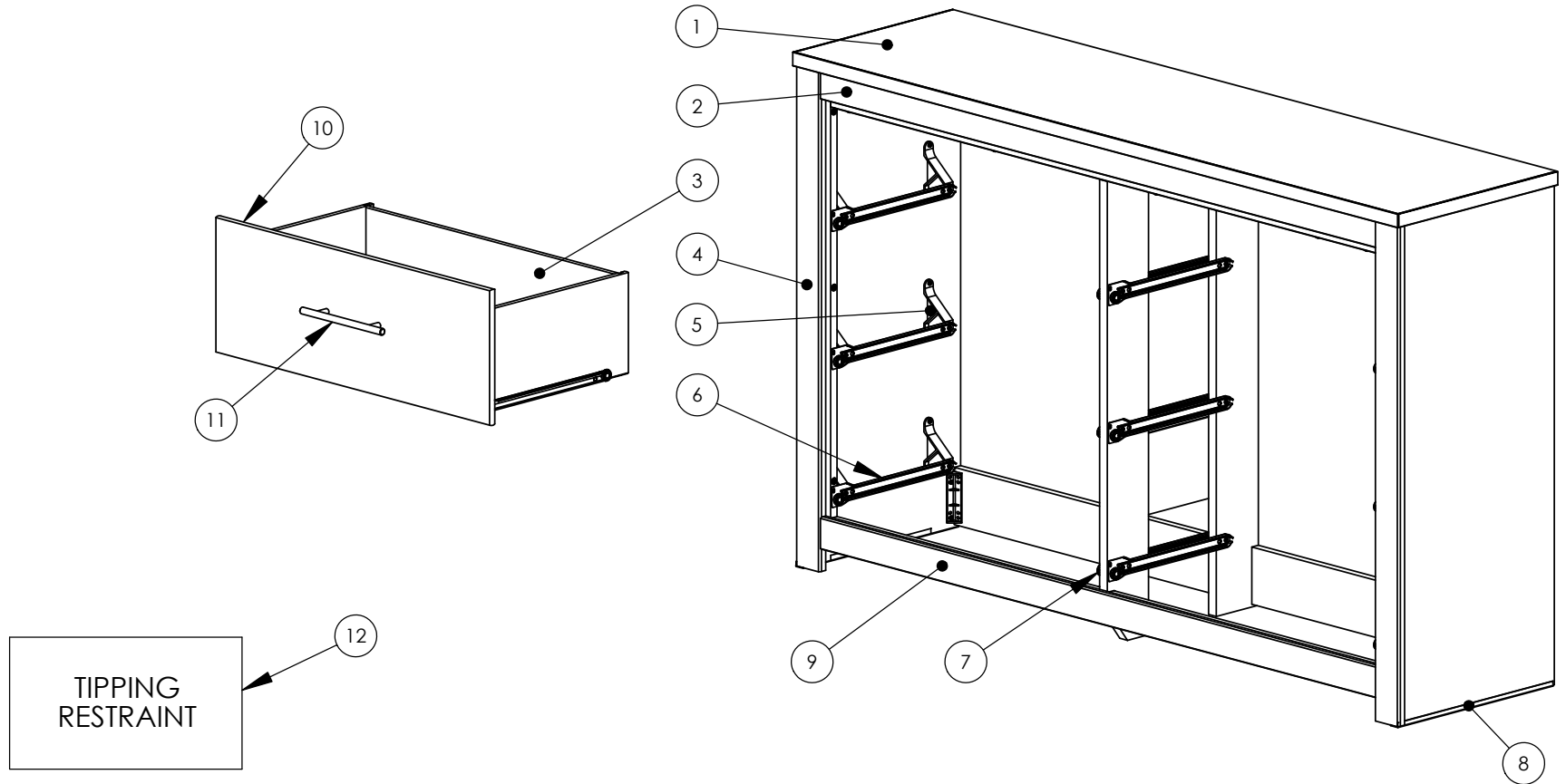


Item#	Qty	Description	MATERIAL
1	1	TOP	WOOD
2	1	MOULDING ASSEMBLY	WOOD
3	6	DRAWER ASSEMBLY	WOOD, METAL
4	2	PILASTER	WOOD
5	12	GLIDE SPACER	PLASTIC
6	6	LEFT CABINET GLIDE	METAL, PLASTIC
7	6	RIGHT CABINET GLIDE	METAL, PLASTIC
8	2	CHANNEL MOULDING	PLASTIC
9	1	BASESTRIP ASSEMBLY	WOOD
10	12	FELT PAD	FABRIC
11	6	HANDLE	METAL
12	1	TIPPING RESTRAINT	PLASTIC

Dwg#: <b>35400</b>			
Scale: <b>1:12</b>		TOLERANCES ARE: METRIC:.....+ .5 / - .5mm DECIMAL:.....0 / - .005" FRACTIONAL:.....+0 / -1/32" (UNLESS OTHERWISE SPECIFIED)	
Date: <b>5/5/2020</b>		Desc: <b>Dresser</b>	
Rev.	Description	Date	Cad/Eng



12  
TIPPING RESTRAINT