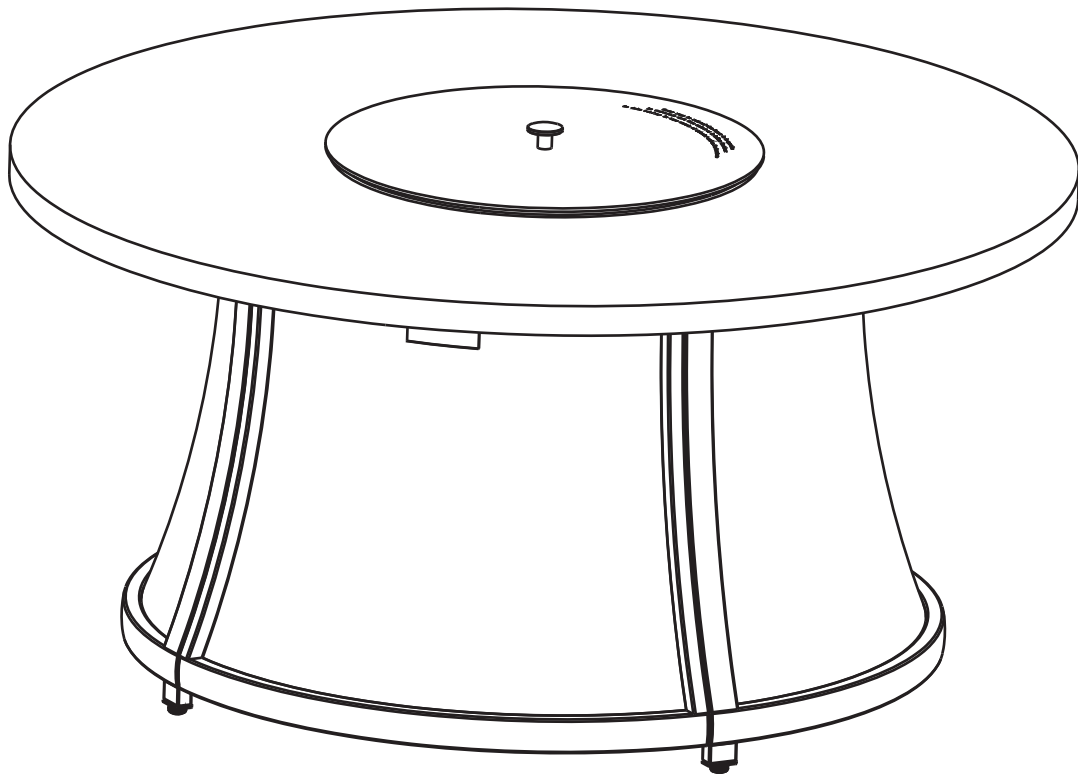




Outdoor Fire Pit Table User Guide

ITEM#: P456-776B/T

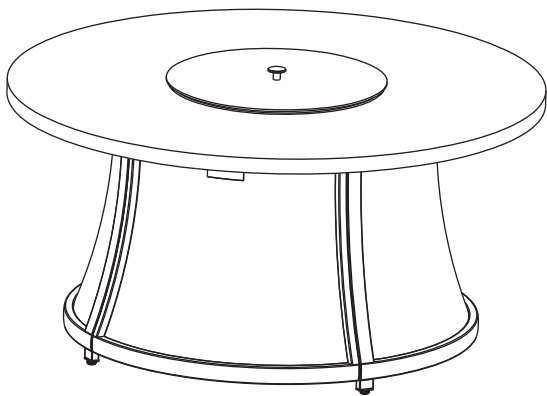


SAVE THESE INSTRUCTIONS

THIS PRODUCT WAS MANUFACTURED BY FOSHAN SHUNDE SHIAN FURNITURE INDUSTRIES CO., LTD FOR ASHLEY FURNITURE INDUSTRIES, INC.

# IMPORTANT, FAILURE TO CAREFULLY READ, UNDERSTAND AND FOLLOW EVERY PART OF THIS DOCUMENT MAY RESULT IN PROPERTY DAMAGE, SERIOUS BODILY INJURY OR DEATH.

## ASSEMBLY INSTRUCTIONS



CSA Model 98900

**Installer: Leave these instructions with consumer.**

**Consumer: Keep these instructions for future reference**

### SAFETY INFORMATION

FOR USE WITH 20LB (9KG) PROPANE CYLINDER WITH TYPE 1 CONNECTION OR FOR USE WITH NATURAL GAS AFTER CONVERSION KIT IS INSTALLED (MUST BE PROFESSIONALLY INSTALLED) ALSO THE LP REGULATOR MUST BE SUPPLIED BY THE MANUFACTURER.

#### WARNING

Do not store or use gasoline or other flammable vapors and liquids in the vicinity of this or any other appliance. An LP-cylinder not connected for use shall not be stored in the vicinity of this or any other appliance.

#### WARNING

USE FACTORY APPROVED REPLACEMENT PARTS AND ACCESSORIES ONLY. USE OF UNAPPROVED PART OR ACCESSORIES CAN VOID THE WARRANTY ON THIS PRODUCT AND RESULT IN A HAZARDOUS CONDITION. PLEASE CONTACT US FOR INFORMATION REGARDING REPLACEMENT HOSES, THERMOCOUPLES, ELECTRODES, IGNITION MODULES, LAVAROCKS, LOGS, FIRE ICE, ETC.

#### DANGER

DANGER indicates an imminently hazardous situation which, if not avoided, will result in death or serious injury.

#### DANGER

Failure to comply with the precautions and instructions provided with this fire pit can result in death, serious bodily injury and property loss or damage from hazards of fire, explosion, burn, asphyxiation, and/or carbon monoxide poisoning. Only persons who can understand and follow the instructions should use or service this fire pit.

#### DANGER

FOR YOUR SAFETY  
if you smell gas;  
1. shut off gas to the appliance.  
2. Extinguish any open flame.  
3. If odor continues. Keep away from the appliance and immediately call you gas supplier or fire department.



# SAFETY INFORMATION

## DANGER

### EXPLOSION-FIRE HAZARD

Keep solid combustibles, such as building materials, paper or cardboard, a safe distance away from the fire pit as recommended by the instructions. Provide adequate clearances around air openings into the combustion chamber. Never use the fire pit in spaces which do or may contain volatile or airborne combustibles, or products such as gasoline, solvents, paint thinner, dust particles or unknown chemicals. During operation, this product can be a source of ignition. Keep fire pit area clear and free from combustible materials, gasoline, paint thinner, cleaning solvents and other flammable vapors and liquids. DO not use fire pit in areas with high dust content. Minimum fire pit clearances from combustible materials: two(2) feet from the sides&two(2) feet from the rear, 6 feet from ceiling.

## DANGER

### EXPLOSION - FIRE HAZARD

Never store propane near high heat, open flames, pilot lights, direct sunlight, other ignition sources or where temperatures exceed 120 degrees F(49°C). Propane vapors are heavier than air and can accumulate in low places. If you smell gas, leave the area immediately. Never install or remove propane cylinder while fire pit is lighted, near flame, pilot lights, other ignition sources or while fire pit is hot to touch. The fire pit is red hot during use and can ignite flammables too close to the burner. Keep flammables at least 2 feet from sides & 2 feet from rear, 6 feet from ceiling. Keep gasoline and other flammable liquids and vapors well away from fire pit. Store the propane cylinder outdoors in a well ventilated space out of reach of children. Never store the propane cylinder in an enclosed area (house, garage, etc.). If fire pit is to be stored indoors, disconnect the propane cylinder for outood storage and allow the fire pit to fully cool down prior to moving indoors.

## WARNING

We cannot foresee every use which may be made of our fire pit. Check with your local fire safety authority if you have questions about fire pit use. Other standards govern the use of fuel gases and heat producing products for specific uses. Your local authorities can advise you about these. If no local codes exist, follow National Fuel Gas Code, ANSI Z223. 1. In Canada, installation must conform to local codes. If no local codes exist, follow the current National standards of CANADA CAN/CGA-B 149.2.

## DANGER

### CARBON MONOXIDE HAZARD

This fire pit is a combustion appliance. All combustion appliances produce carbon monoxide(CO) during the combustion process. This product is designed to produce extremely minute, non-hazardous amounts of CO if used and maintained in accordance with all warnings and instructions. DO not block air flow into or out of the fire pit. Carbon monoxide(CO) poisoning produces flu-like symptoms, watery eyes, headaches, dizziness, fatigue and possibly death. You can't see it and you can't smell it. It's an invisible killer. If these symptoms are present during operation of this product get fresh air immediately! For outdoor use only. Never use inside house, or other unventilated or enclosed areas. This fire pit consumes air(pxygen). Do not use in unventilated or enclosed areas to avoid endangering your life.

## WARNING

WARNING indicates an imminently hazardous situation which, if not avoided, will result in death or serious injury.

## WARNING

Do not store or use gasoline or other flammable vapors and liquids in the vicinity of this or any other appliance. An LP-cylinder not connected for use shall not be stored in the vicinity of this or any other appliance.

## WARNING: For Outdoor Use Only

### DANGER



### CARBON MONOXIDE HAZARD

This appliance can produce carbon monoxide which has no odor. Using it in an enclosed space can kill you. Never use this appliance in an enclosed space such as a camper, tent, car or home.

## WARNING

Improper installation, adjustment alteration, service or maintenance can cause property damage, injury or death. Read the installation, operating and maintenance instructions thoroughly before installing or servicing this equipment.

# TABLE OF CONTENTS

1. Important Safety Information.....	5
2. Information about Propane.....	6
3. Specifications.....	6
4. Parts List.....	7
5. Installation.....	8
6. Natural Gas Conversion.....	10
7. Lighting Instructions.....	11
8. Batteries.....	12
9. Maintenance.....	12
10. Burner cover assembly.....	12
11. Troubleshooting Guide.....	13

 **WARNING**

## **IMPORTANT SAFETY INFORMATION**

The installation must conform with local codes or, in the absence of local codes of all applicable local codes, including, without limitation, with the National Fuel Gas Code, ANSI Z223.1/NFPA 54; International Fuel Gas Code.; Natural Gas and Propane Installation Code, CSA B149.1; or Propane Storage and Handling Code, B149.2, as applicable.

The appliance and its appliance main gas valve must be disconnected from the gas supply piping system during any pressure testing of that system at test pressures in excess of 1/2 psi (3.5kPa).

The appliance must be isolated from the gas supply piping system by closing its equipment shutoff valve during any pressure testing of the gas supply system at test pressure equal to or less than 1/2 psi (3.5kPa).

The appliance area must be kept clear and free from combustible materials, gasoline and other flammable vapors and liquids.

Do not use this appliance if any part has been damaged or under water. Immediately call a qualified service technician to inspect the appliance and to replace any part of the control system and any gas control which has been damaged or under water.

 **WARNING** The appliance will remain hot for up to 45 minutes after use. Do not touch or move appliance for at least 45 minutes after it has been completely shut off.

All children should be kept away from the appliance and should not be allowed near the product unless carefully supervised by an adult.

**Children and adults should be alerted to the hazards of high surface temperatures and kept at a safe distance to avoid burns or clothing ignition.**

**All children should be kept away from the appliance and should not be allowed near the product unless carefully supervised by an adult.**

**Clothing or other flammable material should not be hung from the appliance, or placed on or near the appliance.**

 **WARNING** Keep children away from this appliance. This appliance contains small parts that can be swallowed by children resulting in serious bodily injury or death.

**Any screen or guard removed for servicing an appliance must be replaced prior to operating the appliance.**

**Installation and repair should be done by a qualified service person. The appliance should be inspected before use and at least annually by a professional service person. More frequent cleaning may be required as necessary. It is imperative that the control compartments, burners and circulating air passageways of the appliance be kept clean.**

Do NOT burn solid fuels in this gas fireplace.

Do NOT ignite the burner before pouring all of the burner media (lava rock or fire ice) into the burner pan. The media must be evenly distributed over the burner.

If initial firing of fire pit, please stay away from the firepit for 20 minutes as fire media (lava rock or fire ice) may pop and hit someone on the face or eyes.

Do NOT ignite or use the fire pit if the burner media (lava rock or fire ice) are wet. Ensure the burner media are completely dry before igniting as intense heat could cause the media to crack and pop. To keep water away from media, always put the cover on the firepan when appliance is not in use.

It is UNSAFE to use this product for any purpose except as described in this document including, without limitation, cooking.

**CAUTION:** The propane gas pressure regulator provided with this appliance must be used. This regulator is set for an outlet pressure of 11 inches water column.

This outdoor gas appliance is not intended to be installed in or on recreational vehicles and/or boats.

Before each use of this gas appliance, open the LP (Liquid Propane) Tank Drawer and inspect the LP Hose. If there is evidence of excessive abrasion or wear, or the hose is cut, it must be replaced prior to the gas appliance being put into operation. Use only the replacement hose assembly specified in this manual. Inspect the burner before each use of the appliance. The burner must be replaced prior to the appliance being put into operation if it is evident that the burner is damaged. Use only the burner listed in these instructions.

Keep the fuel supply hose away from any heated surfaces.

# IMPORTANT SAFETY INFORMATION ABOUT PROPANE (LP) GAS

A self contained LP-gas cylinder for use with this appliance must have a capacity of 20 lbs. and must be equipped with a Type 1 connector and an OPD (overfill protection device). See Figure 1.

The LP-gas supply cylinder to be used must be constructed and marked in accordance with the specification for LP-gas cylinders of the U.S. Department of Transportation (DOT) or the National Standard of Canada, *CAN/CSA-B339, Cylinder, Sphere and Tubes for the Transportation of Dangerous Goods*.

- The cylinder supply system must be arranged for vapor withdrawal.
- The cylinder used must include a collar to protect the cylinder valve.
- This appliance shall be used only outdoors in a well-ventilated space and shall not be used in a building, garage or any other enclosed space.
- When this appliance is not in use, the gas must be turned off at the supply cylinder.
- Storage of this outdoor firepit is permissible if the firepit has been allowed time to cool off retaining no heat and the cylinder is disconnected and removed from the firepit.

- **⚠ WARNING** Cylinders must be stored outdoors in a well-ventilated area out of the reach of children. Disconnected cylinders must have threaded valve plugs tightly installed and must not be stored in a building, garage or any other enclosed areas. Storing cylinders indoors or in poorly ventilated spaces outdoors can result in serious bodily injury and/or death.

CSA (Canadian Standards Association) certified to ANSI Z21.97CSA 2.41-2016 “Outdoor Decorative Gas Appliances”. The gas hose is routed through a “U” bolt to prevent the hose from coming in contact with the burner. DO NOT remove the hose from the “U” bolt. See Figure 2.

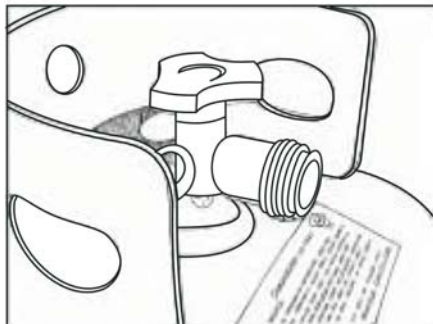


Figure 1

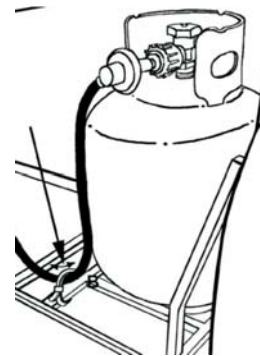




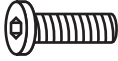








Figure 2

## SPECIFICATIONS

INPUT	40,000 Btu/hr	30,000 Btu/hr Low fire
Propane Regulator Pressure	11 inches water column	
Natural Gas Minimum Inlet Pressure	7 inches water column	
Clearances to combustible surfaces	Sides: 24in./61cm	Top: 72 in. / 183 cm

# PARTS IDENTIFICATION LIST

PART#	FIGURE	DESCRIPTION	QTY
A		FIREPIT TABLETOP	1
B		FIREPIT BASE	1
C		DOOR	1
D		BURNER COVER	1
E		1/4" X20 MM BOLT	4
F		Ø 20 X Ø 6.5 X 2.0 WASHER	4
G		Ø 6.5 X 1.6 MM SPRING WASHER	4
H		HEX BOLT DRIVER	1
J		LAVA ROSK SET	1
K		"AAA" BATTERY(1.5V)	1
M		PVC COVER	1

**⚠ DANGER & WARNING**

IMPORTANT, FAILURE TO CAREFULLY READ, UNDERSTAND AND FOLLOW EVERY PART OF THIS DOCUMENT MAY RESULT IN PROPERTY DAMAGE, SERIOUS BODILY INJURY OR DEATH.

## Outdoor Firepit Assembly (with Propane Gas Configuration)

1. With the help of another person, carefully place the table top onto the table base. After making any necessary adjustments to the alignment of the table top and the base, use the bolts, spring washers and washers as shown in Figure 3. Guide the bolt through the hole in the base bracket into the pre-drilled hole on the underside of the table top. Do not tighten completely.

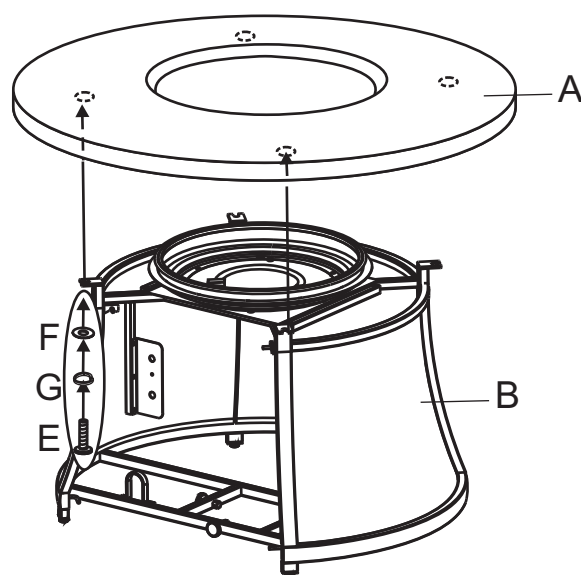


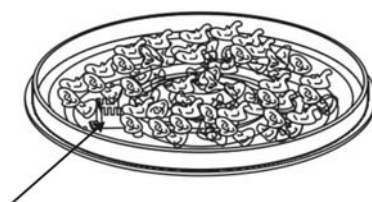
Figure 3

2. Pour all of the lava rock into the burner pan. Completely cover the burner tube with fire ice as shown in Figure 4.



Figure 4

3. Remove the cardboard cover from the ignition well as shown in Figure 5. Remove any lava rock or fire ice on top of ignition well.



Cardboard cover

Figure 5



4. Take out the door and place the LP tank in the bottom frame. Connect the regulator as shown in Figure 6. Screw the black handle clock-wise to tighten. Turn the handle counterclock-wise to remove. The hose must point down. Open the control door and check that the valve is turned all the way clockwise to the “OFF” position. Open the tank valve. Apply a solution of soapy water to the tank-regulator connection and to the valve-hose connection to check for leaks. If soap bubbles continue to form, the connection has a leak. If a leak is found, close the tank valve and tighten all connections.

**⚠ WARNING** NEVER USE A FLAME TO CHECK FOR LEAKS AS DOING DO CAN CAUSE AN EXPLOSION OR FIRE RESULTING IN PROPERTY DAMAGE, SERIOUS BODILY INJURY OR DEATH.

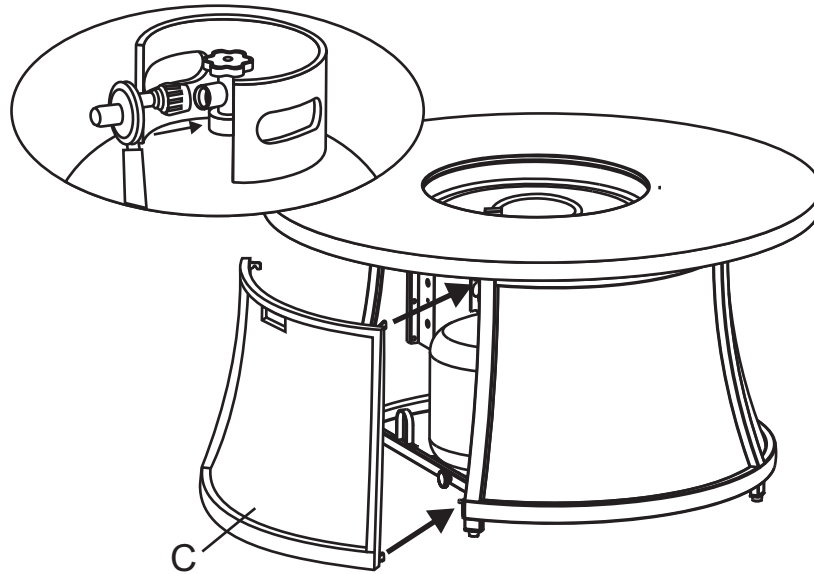


Figure 6

5. Tighten threaded knobs found on tank tray (Figure 7) so that the LP tank can not move from side to side. Do not remove plastic cap from end of threaded section.

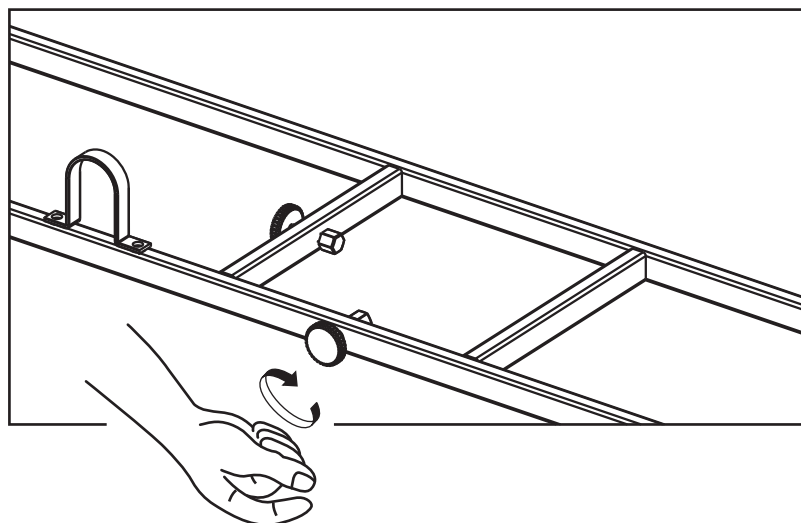


Figure 7

## ⚠ DANGER & WARNING



# NATURAL GAS CONVERSION



**Natural gas conversion must be performed only by your natural gas provider or service company. Attempting to perform the natural gas conversion yourself is not safe and may result in property damage, serious bodily injury or death.**

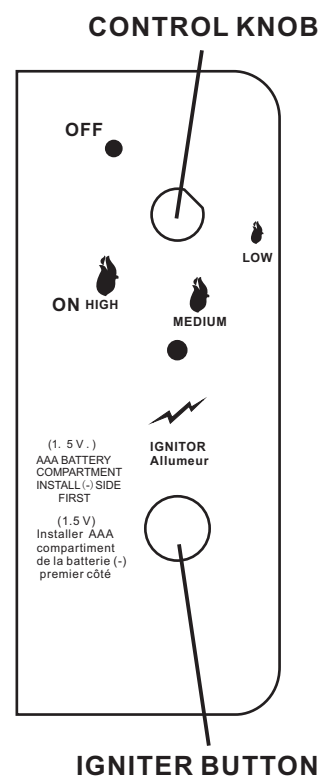
**⚠** Prior to turning gas on and attempting to light the appliance, make sure the appliance is outside, in a well ventilated area and free of any debris and is not in contact with or near any people, animals, materials or structures. Failure to adhere to the above instruction may result in property damage, serious bodily injury or death.

**⚠** IMPORTANT, FAILURE TO CAREFULLY READ, UNDERSTAND AND FOLLOW EVERY PART OF THIS DOCUMENT MAY RESULT IN PROPERTY DAMAGE, SERIOUS BODILY INJURY OR DEATH. DO NOT ATTEMPT TO LIGHT THE APPLIANCE IF YOU DO NOT UNDERSTAND OR CANNOT FOLLOW ANY PART OF THIS DOCUMENT. THOROUGHLY INSPECT THE APPLIANCE BEFORE ATTEMPTING TO LIGHT TO ENSURE PROPER ASSEMBLY AND THAT THE ENTIRE APPLIANCE IS IN GOOD WORKING ORDER AND IS FREE OF ANY GAS LEAKS. IF YOU NOTE ANY LEAKS, IMPROPER ASSEMBLY OR ANY DAMAGE TO THE APPLIANCE DO NOT LIGHT THE APPLIANCE AND IMMEDIATELY CONTACT A QUALIFIED SERVICE TECHNICIAN. FAILURE TO DO SO MAY RESULT IN PROPERTY DAMAGE, SERIOUS BODILY INJURY OR DEATH"

## LIGHTING INSTRUCTIONS

1. Locate the control and igniter panel. Make sure the control knob is in the "OFF" position. See Figure 8. Open the tank door and open the tank valve all the way.
2. Push in the igniter button. You will hear a slight clicking sound. With the igniter button pushed in, push and turn the control knob to the "ON" position. The fire should light within a few seconds. Once the flame is lit, release the igniter button and continue to hold the control knob in for 10 to 15 seconds. Release the control knob. The control knob should pop back out and the fire should remain lit. Note: If the fire does not light, turn the knob to the "OFF" position and wait five (5) minutes before trying again.
3. To turn down the flame, push the control knob in slightly and turn to the Medium (medium flame) or Low (small flame).
4. To shut down the fire pit, turn the control knob to the "OFF" position and turn off the tank valve

Figure 8



# BATTERIES

Make sure the control knob is in the "OFF" position. Unscrew the push button cap on the ignition module located on the control panel to access the battery compartment. The ignition module requires one AAA size battery. See Figure 9.

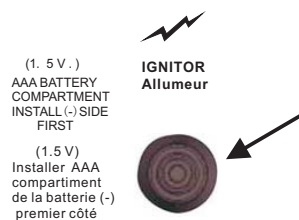


Figure 9

# MAINTENANCE

The flames should look like those in Figure 10 To clean the burner, use a soft brush after the burner and lava rocks have cooled completely. Never use a vacuum cleaner on the lava rocks. It is recommended that the lava rocks be stored indoors during the winter if they will be subjected to freezing temperatures. The propane cylinder must be disconnected and removed from the appliance before the appliance can be stored indoors.



Figure 10

# BURNER COVER ASSEMBLY

Place the burner cover on the table top as shown in Figure 11.

**WARNING: BEFORE PLACING THE BURNER COVER ON, MAKE SURE THE FIREPIT HAS BEEN SHUT OFF AND THE BURNER HAS COMPLETELY COOLED DOWN.**

Cover must be removed when burner is in operation  
Le couvercle doit être enlevé si le brûleur fonctionne  
Se debe retirar la tapa cuando el quemador está en funcionamiento

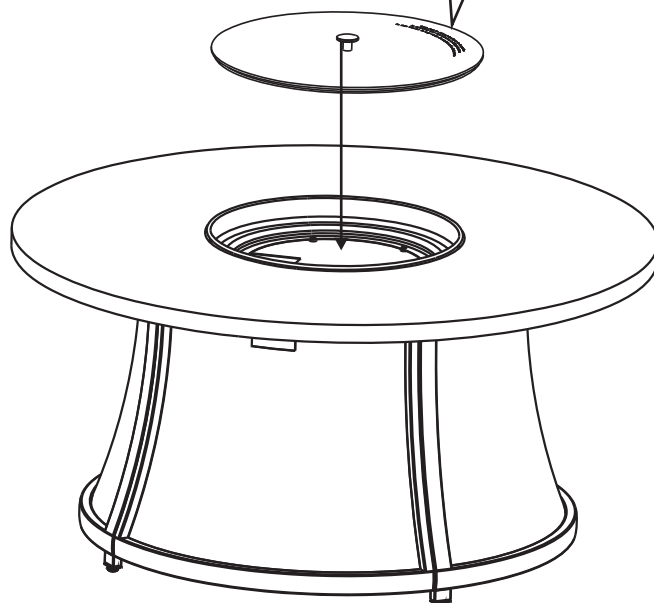


Figure 11

# TROUBLESHOOTING GUIDE

**It is recommended that you contact a qualified service technician if you believe the appliance is not functioning properly.**

PROBLEM	CAUSE	REMEDY
Burner won't light	No Propane Gas at Burner	Check that gas tank valve is open. Turn control knob to "ON" and push control knob in. Make sure tank has propane gas.
	No Spark at Electrode	Check that AAA battery is installed with negative (-) end first and has a charge. Check that the wire is connected to the ignition module. Check that the electrode is not cracked or broken.
	Lack of oxygen	Remove excess lava rock s or fire ices from around the ignition well.
Burner won't stay lit after lighting	Thermocouple not in flame	Check that the tip of the thermocouple is even with the top of the ignition well. Remove any lava rock s from the ignition well.
	Thermocouple connection at the main control valve is loose	Tighten the thermocouple nut at the back of the valve.
	No lava rocks on Burner	Cover the burner with fire ices per the instructions.