

ASSEMBLY INSTRUCTION SHEET FOR LAMP L603186A

PARTS LIST:

(1) HARP (WITH FINIAL)

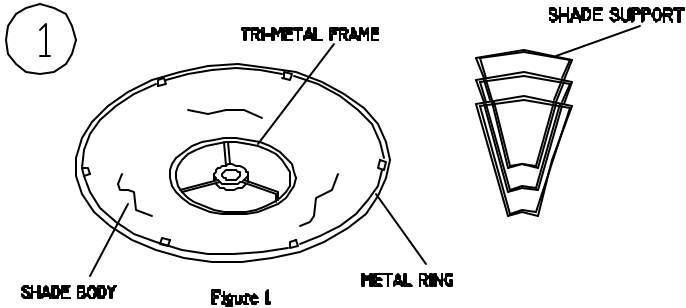
(5) SHADE SUPPORT

(1) SOCKET ASSEMBLY

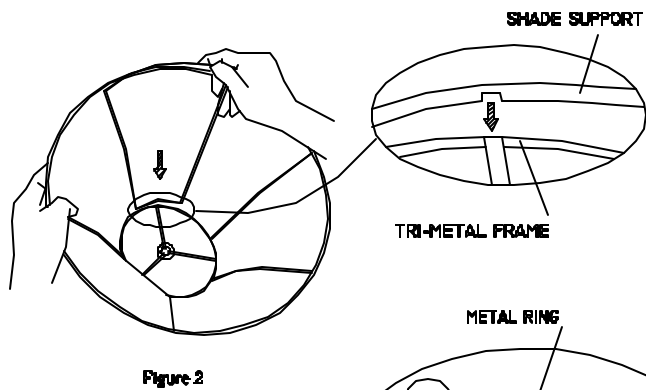
(1) SHADE BODY

(1) LAMP BODY

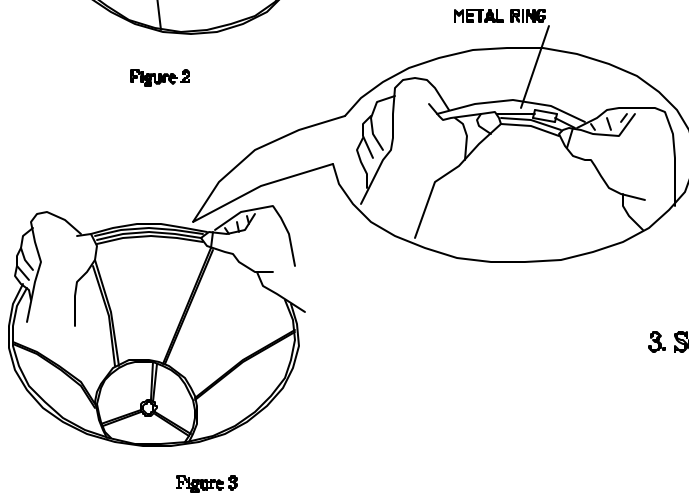
(1) LAMP BASE



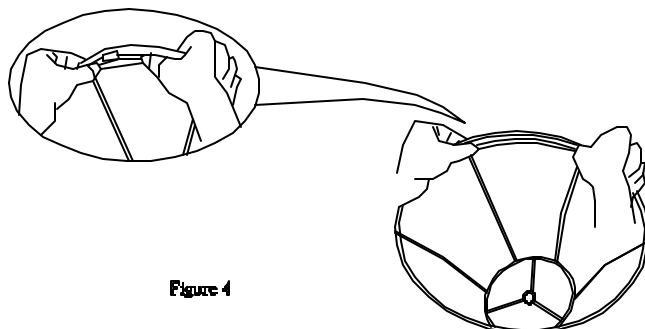
1. Remove the lamp shade body and three shade supports from the package.



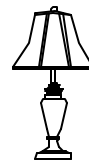
2. Set a shade support into the Tri-metal frame as shown in figure (2).



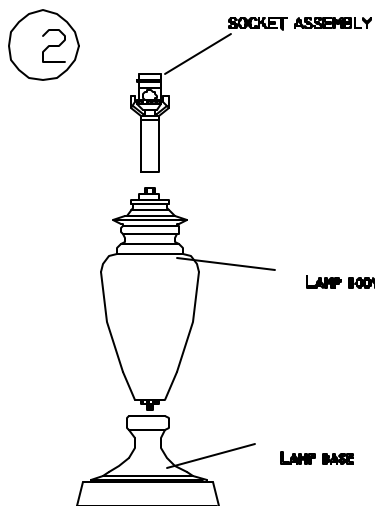
3. Set the other end of the shade support into the metal ring.



4. Repeat for the remaining shade supports.



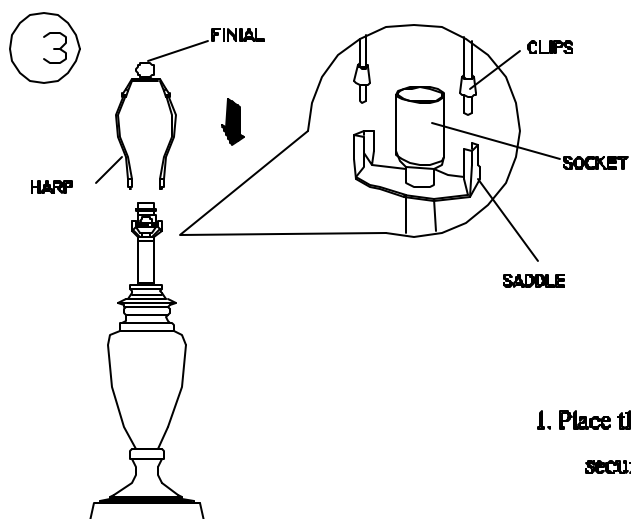
ASSEMBLY INSTRUCTION SHEET FOR LAMP L603186A



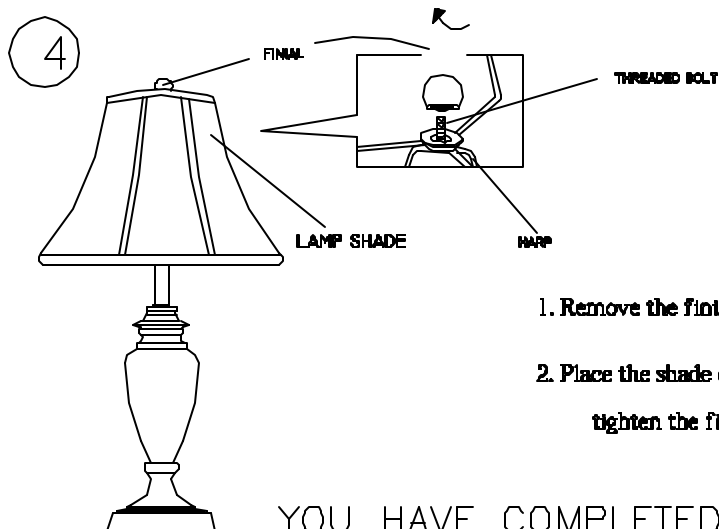
1. Attach the lamp body onto the lamp base.

2. Attach the socket assembly onto the lamp body, be careful not to twist the cord.

Tighten securely.



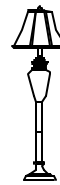
1. Place the harp onto the saddle and secure by using the attached clips.



1. Remove the finial from the threaded bolt.

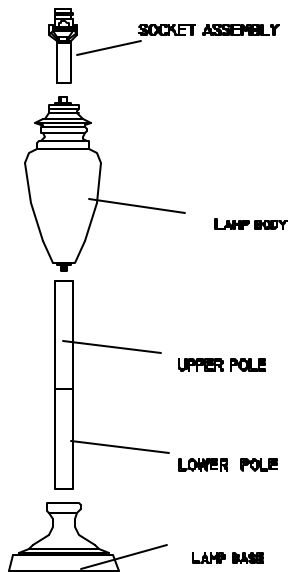
2. Place the shade onto the harp and tighten the finial.

YOU HAVE COMPLETED THE ASSEMBLY OF YOUR LAMP !



ASSEMBLY INSTRUCTION SHEET FOR LAMP L603186F

2

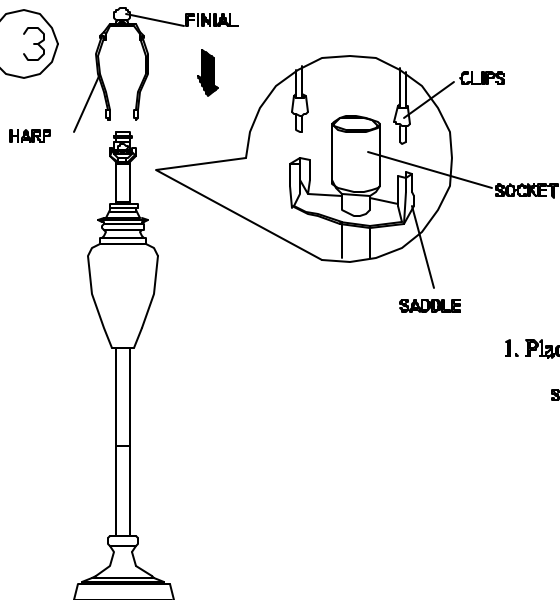


1. Attach the lamp body onto the lamp base.

2. Attach the socket assembly onto the lamp body, be careful not to twist the cord.
Tighten securely.

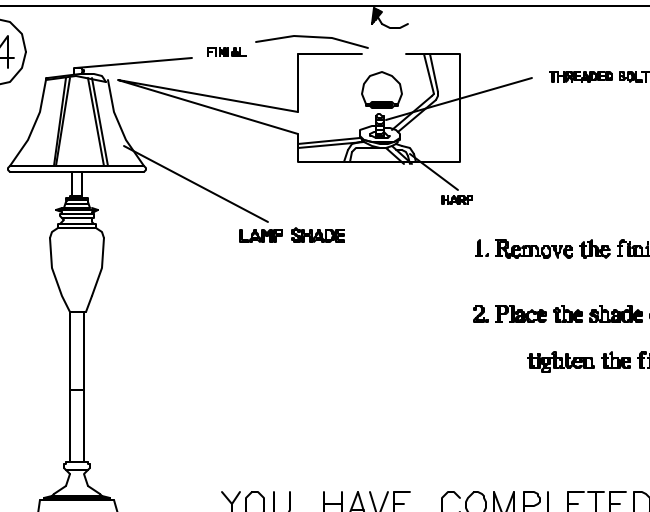
Tighten securely.

3



1. Place the harp onto the saddle and secure by using the attached clips.

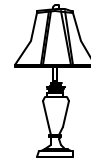
4



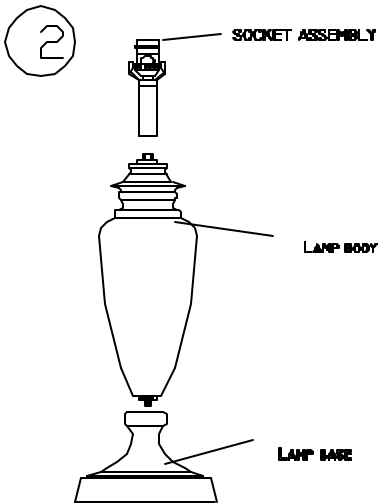
1. Remove the finial from the threaded bolt.

2. Place the shade onto the harp and tighten the finial.

YOU HAVE COMPLETED THE ASSEMBLY OF YOUR LAMP !



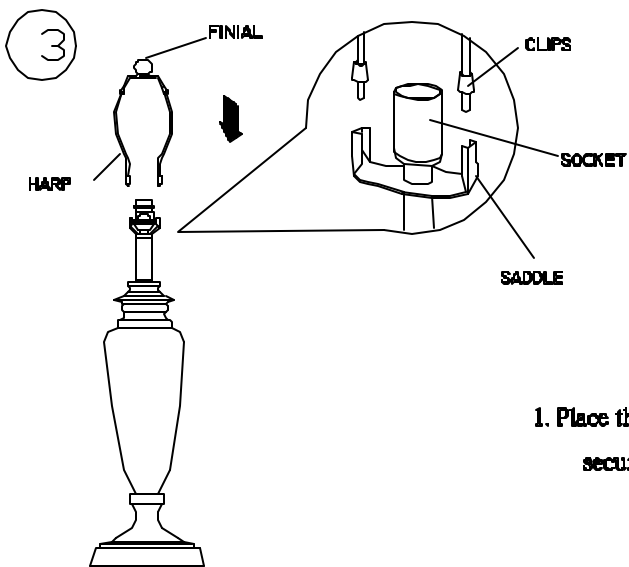
ASSEMBLY INSTRUCTION SHEET FOR LAMP L603186A



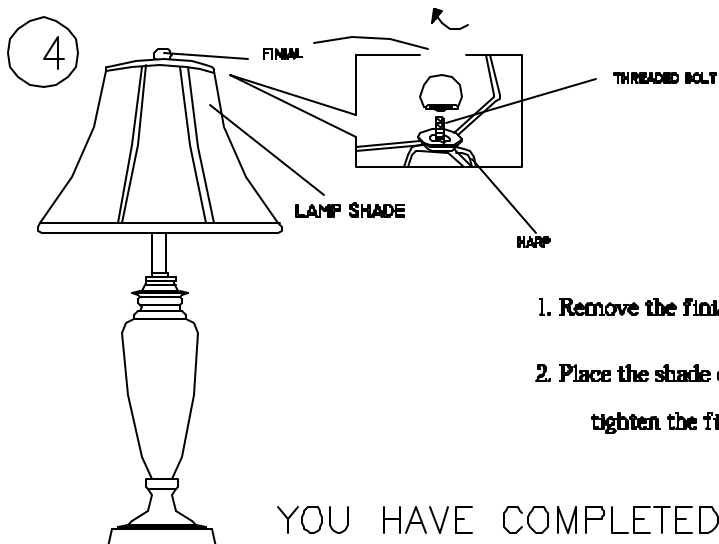
1. Attach the lamp body onto the lamp base.

2. Attach the socket assembly onto the lamp body, be careful not to twist the cord.

Tighten securely.



1. Place the harp onto the saddle and secure by using the attached clips.



1. Remove the finial from the threaded bolt.

2. Place the shade onto the harp and tighten the finial.

YOU HAVE COMPLETED THE ASSEMBLY OF YOUR LAMP !