





- * Always use proper tools.
- * Follow the assembly steps in order. Do not skip any steps.
- * Carefully review the list of parts. If parts are missing, contact the retailer from which you purchased the product to obtain any missing parts. **DO NOT USE SUBSTITUTE PARTS.**
- * Periodically check to ensure that all connectors (bolts, screws, etc.) are tight.
- * Keep the instructions for future reference.
- * Some assembly may involve attaching glass or mirrors. Be very careful handling the glass or mirrors, as severe injury may result if the glass or mirror breaks. Never handle large pieces of glass or mirrors by yourself.
- * When assembling products that have electric cords (lamps, light, etc.), always (1) make sure the electrical cord is unplugged before assembly and (2) be careful not to twist the electrical cord during assembly.
- * When assembling shelves or entertainment centers, do not stand on lower shelves in order to assemble upper shelves—use a step ladder.
- * So not stand on tables, including but not limited to, end tables, coffee tables, and dinner tables, as tables are not to support the weight of a person.
- * Where assembly instructions state that the assembly requires two or more people, do not attempt by yourself as there is a risk of injury.

⚠ NOTE: SIGNATURE DESIGN FURNITURE, LLC. DISCLAIMS ANY LIABILITY FOR DAMAGES OR INJURIES WHICH MAY OCCUR DUE TO FAILURE TO PROPERLY FOLLOW ASSEMBLY INSTRUCTIONS, PROPERLY ASSEMBLE THE PRODUCT, OR PROPERLY USE THE PRODUCT.

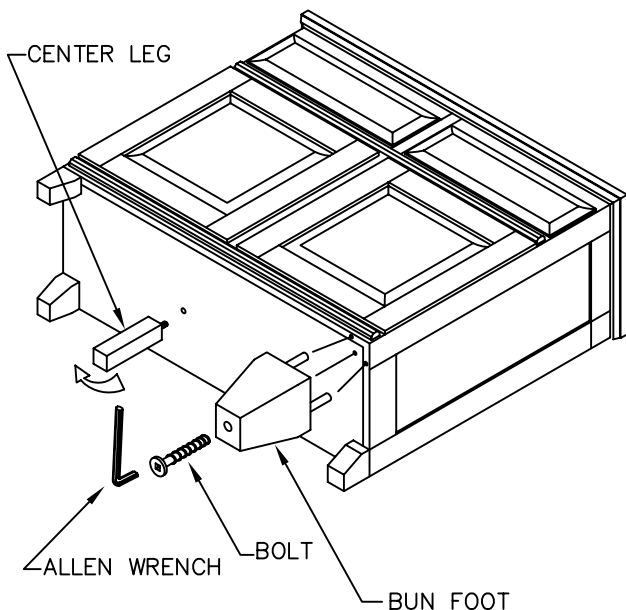
CHECK TO SEE THAT THE FOLLOWING PARTS ARE IN THE HARDWARE PACK!

NO	Q'TY	DRAWING	DESCRIPTION	NO	Q'TY	DRAWING	DESCRIPTION
A	4		70mm BOLT	B	1		ALLEN WRENCH

**⚠ NOTE: UNIT SHOULD BE ASSEMBLED BY 2 OR MORE PEOPLE!
DO NOT TIGHTEN ANY BOLTS UNTIL ALL BOLTS HAVE BEEN STARTED!**

①

1. Remove the buffet from the pack and place it on a smooth and protective surface.
2. Remove the bun feet from the drawer. Attach the bun feet to the buffet by inserting the dowels into the holes in the buffet bottom as shown. Secure the feet using a 70mm bolt and Allen wrench.
3. Attach the center leg by turning it clockwise until its tight.



②

1. The shelf is fixed in position for shipment. If you would like to remove it, remove the screws from underneath the shelf pins with a Phillips screwdriver (not provided). The screws can either be kept or discarded.

