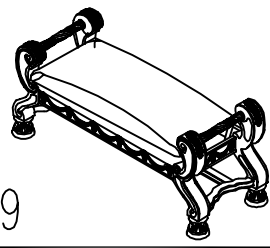


MILLENNIUM®

THE WORLD CLASS FURNITURE COMPANY®



ASSEMBLY INSTRUCTION SHEET FOR B553-09


IMPORTANT SAFETY NOTICE: READ CAREFULLY BEFORE BEGINNING ASSEMBLY!


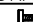




- * Always use proper tools.
- * Follow the assembly steps in order. Do not skip any steps.
- * Carefully review the list of parts. If parts are missing, contact the retailer from which you purchased the product to obtain any missing parts. DO NOT USE SUBSTITUTE PARTS.
- * Periodically check to ensure that all connectors (bolts, screws etc.) are tight.
- * Keep the instructions for future reference.



NOTE: ASHLEY FURNITURE INDUSTRIES, INC. DISCLAIMS ANY LIABILITY FOR DAMAGES OR INJURIES WHICH MAY OCCUR DUE TO FAILURE TO PROPERLY FOLLOW ASSEMBLY INSTRUCTIONS, PROPERLY ASSEMBLE THE PRODUCT, OR PROPERLY USE THE PRODUCT.

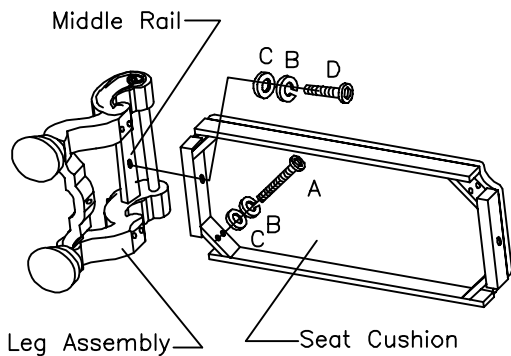
CHECK TO SEE THAT THE FOLLOWING PARTS ARE IN THE HARDWARE PACK!


A PHILIPS HEAD
SCREWDRIVER
IS NEEDED
FOR ASSEMBLY
NOT INCLUDED

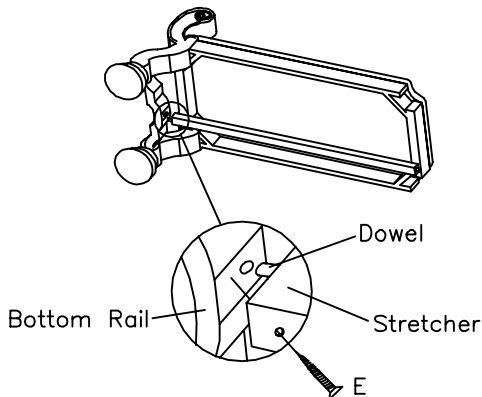
NO	DRAWING	Q'TY	DESCRIPTION	NO	DRAWING	Q'TY	DESCRIPTION
A		8	5/16"x 54mm Allen Bolt	D		2	5/16"x 38mm Allen Bolt
B		10	5/16" Lock Washer	E		2	Screw
C		10	5/16" Flat Washer	F		1	5mm Allen Wrench



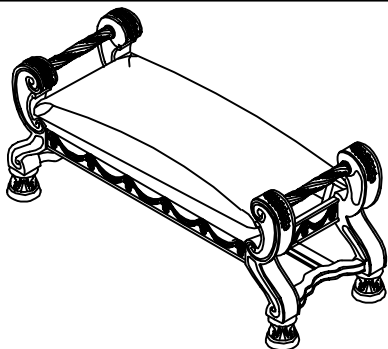
DO NOT TIGHTEN ANY BOLTS UNTIL ALL BOLTS HAVE BEEN STARTED!



1. Set a leg assembly and the seat cushion backside down on a smooth and protective surface.
2. Fix the leg assembly to the seat cushion by turning an Allen bolt A, lock washer B and flat washer C into each hole in the legs through the holes in the corner blocks. Next, turn an Allen bolt D, lock washer B and flat washer C through the hole in the side apron into the middle rail as shown.



3. Align the stretcher with the bottom rail by inserting the dowel into the hole in the bottom rail as shown.
4. Fasten the stretcher to the bottom rail by turning a screw through the hole into the rail as shown.
5. Repeat for the remaining leg assembly.



1. Tighten all bolts using the Allen wrench F.
2. Carefully set the bench upright.