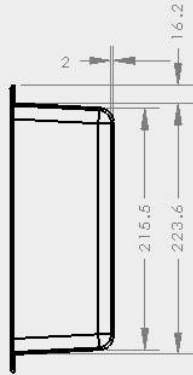
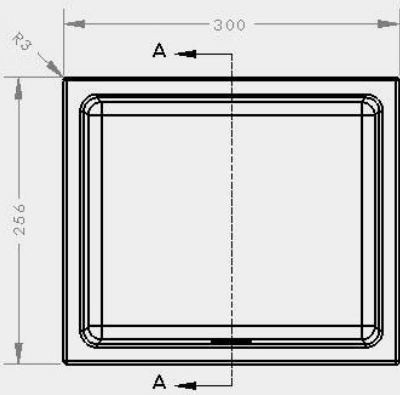


DWG#: 78587			TOLERANCES ARE: METRIC-----S / -5MM DECIMAL-----D / -0.05" FINISHES-----D / -132" UNLESS OTHERWISE SPECIFIED	Work Order: XXXXXXXX
NAME: Jamie Blackburn				
DATE: 11/8/2013		DESC: 78587 Console Tub with USB Plug		
REV	DESCRIPTION	DATE	CAD	ENG



Section A-A



Material - 2mm Thick Polypropylene
 Finish - Textured
 Color - Black