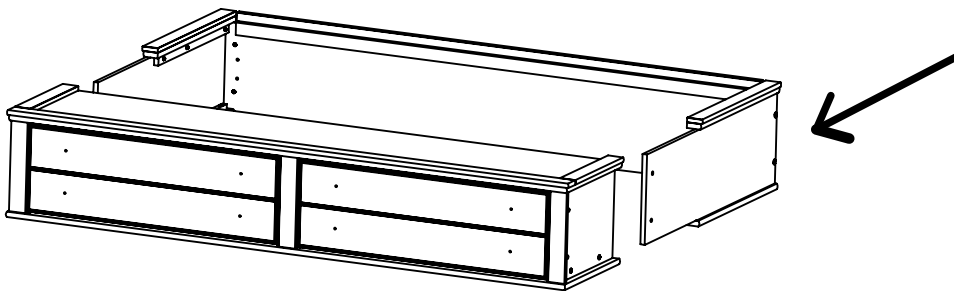
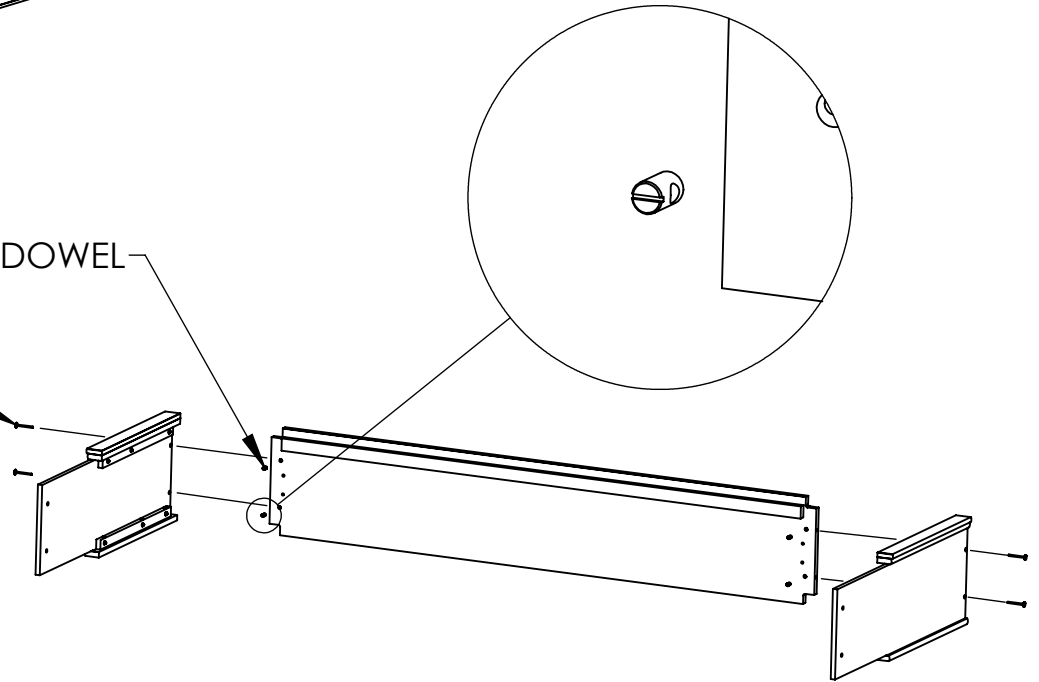




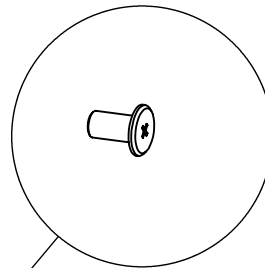
4X 1/4 -20 X 12mm CROSS DOWEL

4X 1/4 -20 X 60mm BOLT



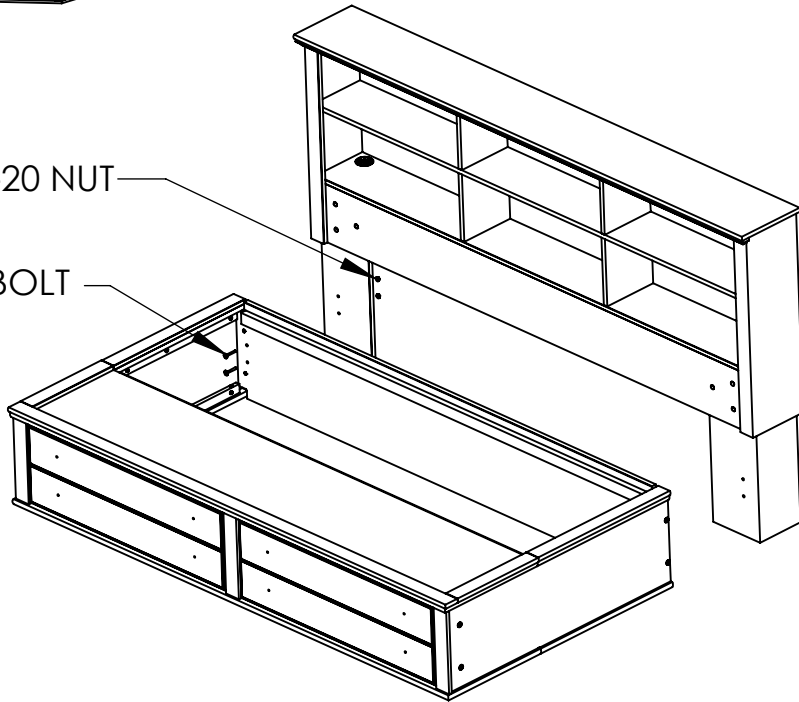
4X 1/4 - 20 X 25mm BOLT

4X 1/4 - 20 CONNECTOR

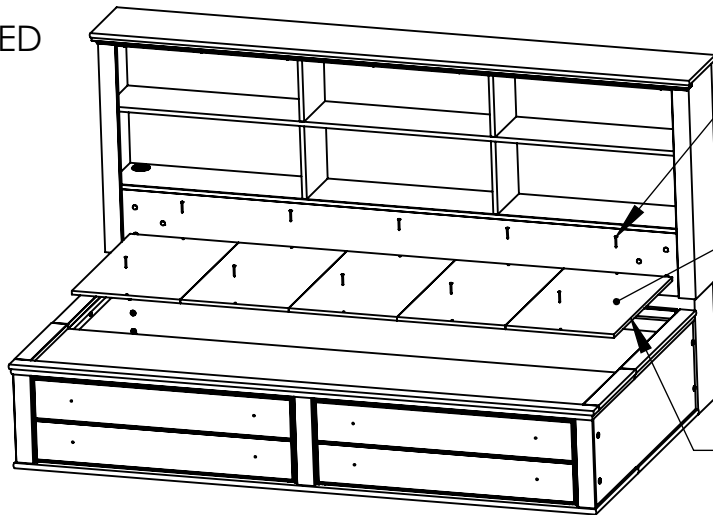
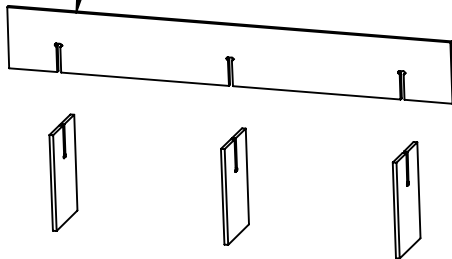




4X 1/4-20 NUT
4X 1/4-20X45mm BOLT



WHEN APPLICABLE
CENTER SUPPORT
SHOULD BE CENTERED
UNDER PLATFORM



10X 1-1/2"
FLATHEAD

5X PLATFORM

TWO END PLATFORMS
SHOULD BE TIGHT TO
SIDES AND CENTER
BOARDS SHOULD BE
EVENLY SPACED.

