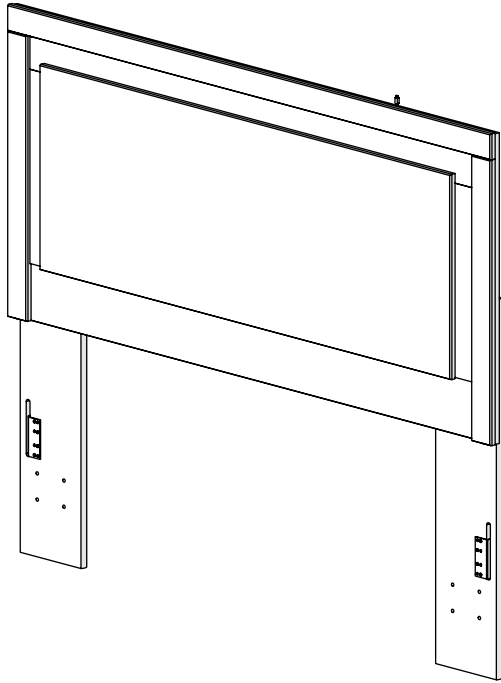
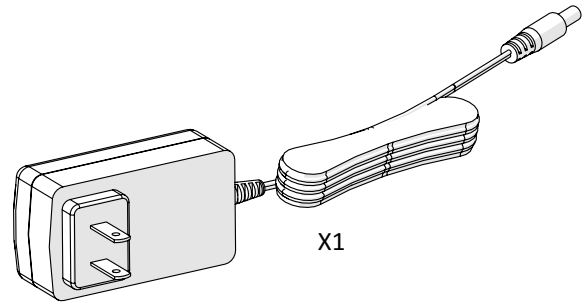
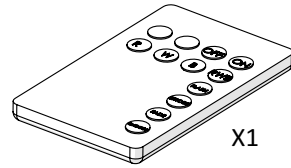


# 175595 Assembly Instructions

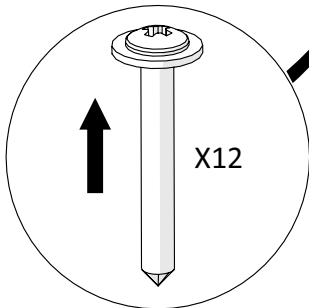
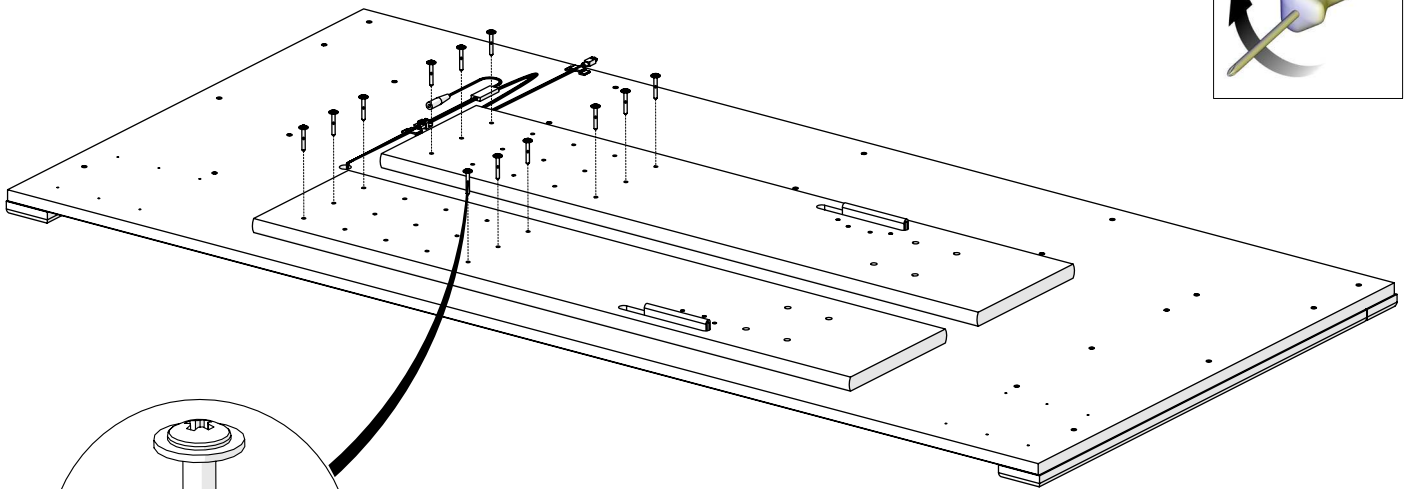
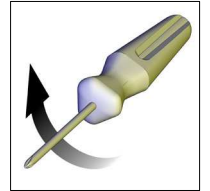


## Hardware Components

This bag contains small parts that present a choking hazard for children under 3 years of age. These parts are for adult assembly only and should be permanently affixed to the furniture. Any unused parts should be discarded properly.

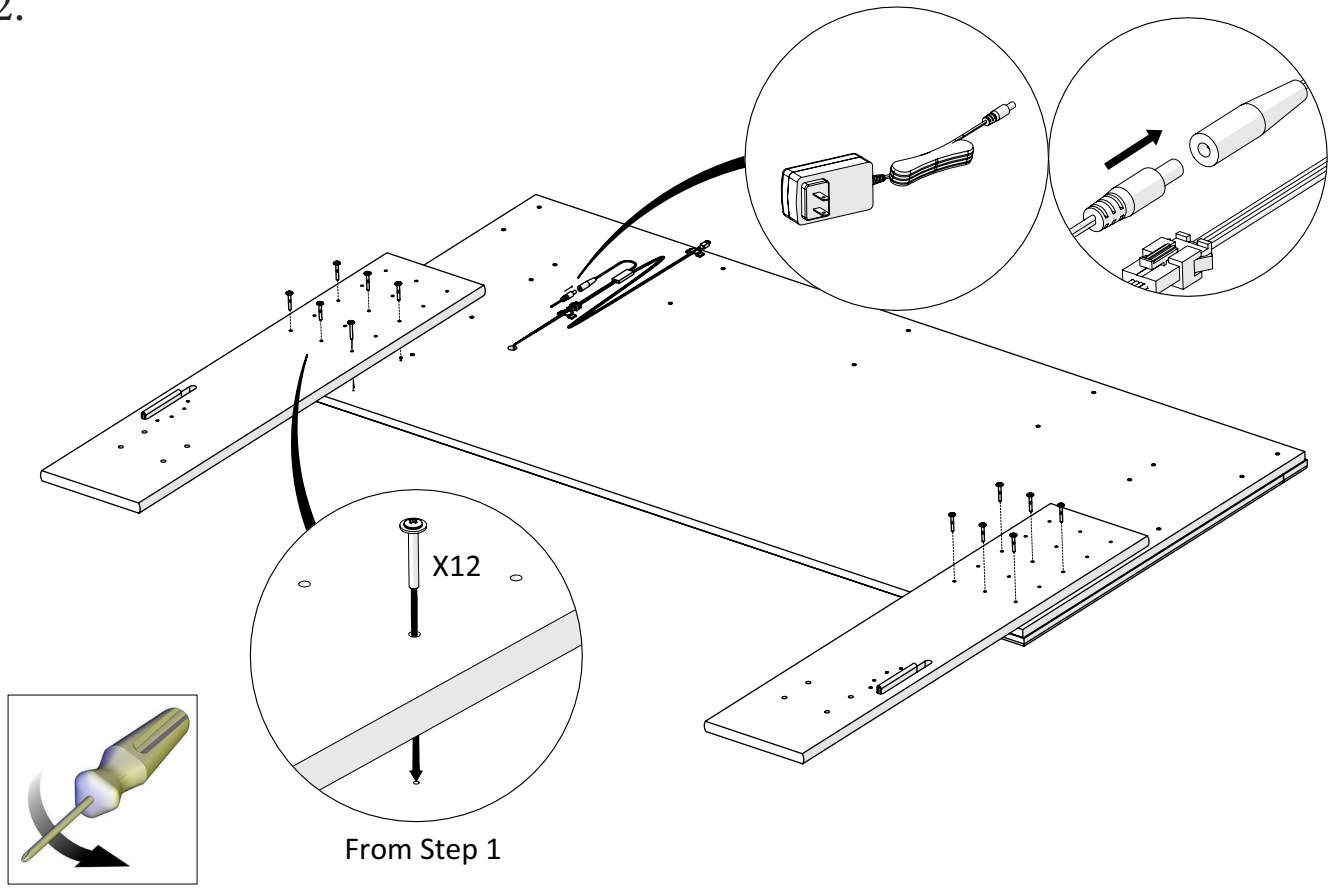


1.



Save for  
Step 2

2.



### Adjustable Panel Height

