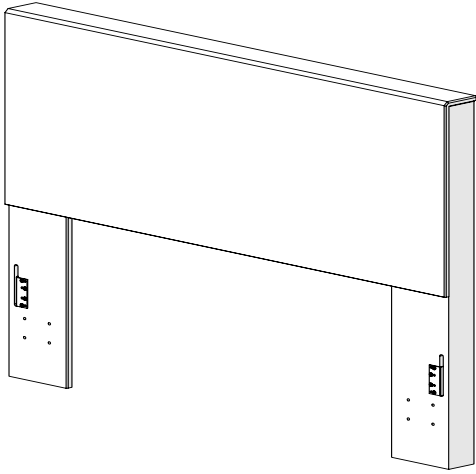
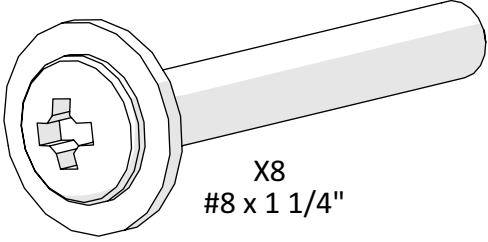


# 165325 Assembly Instructions



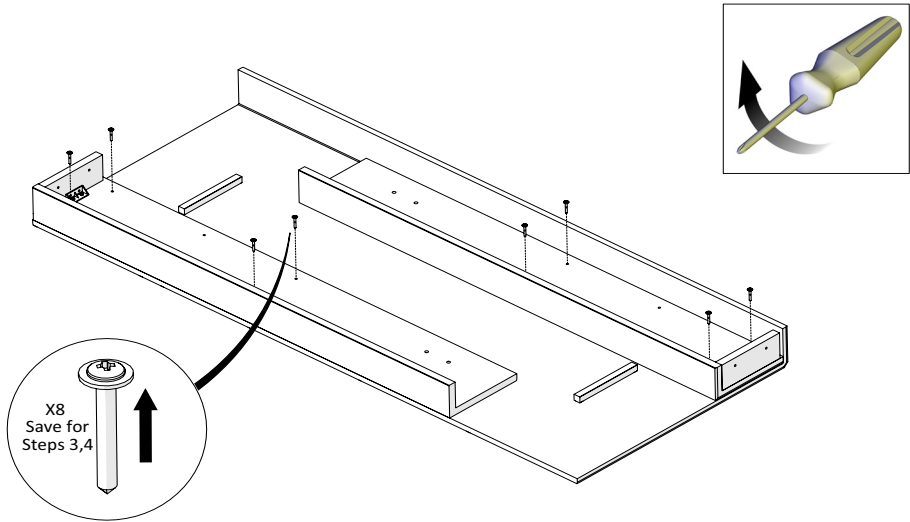
## Hardware Components

This bag contains small parts that present a choking hazard for children under 3 years of age. These parts are for adult assembly only and should be permanently affixed to the furniture. Any unused parts should be discarded properly.

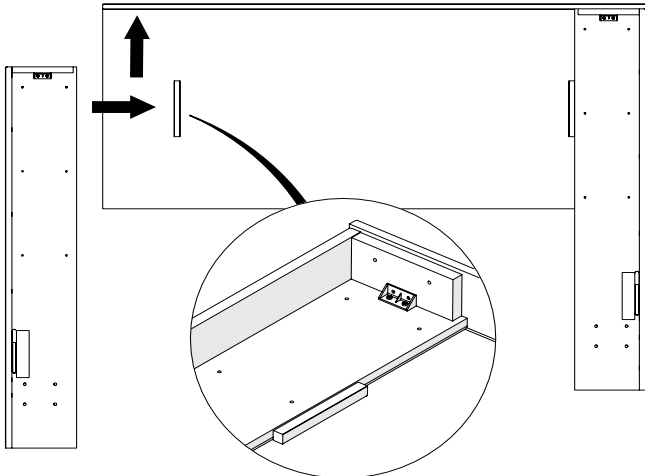


X8  
#8 x 1 1/4"

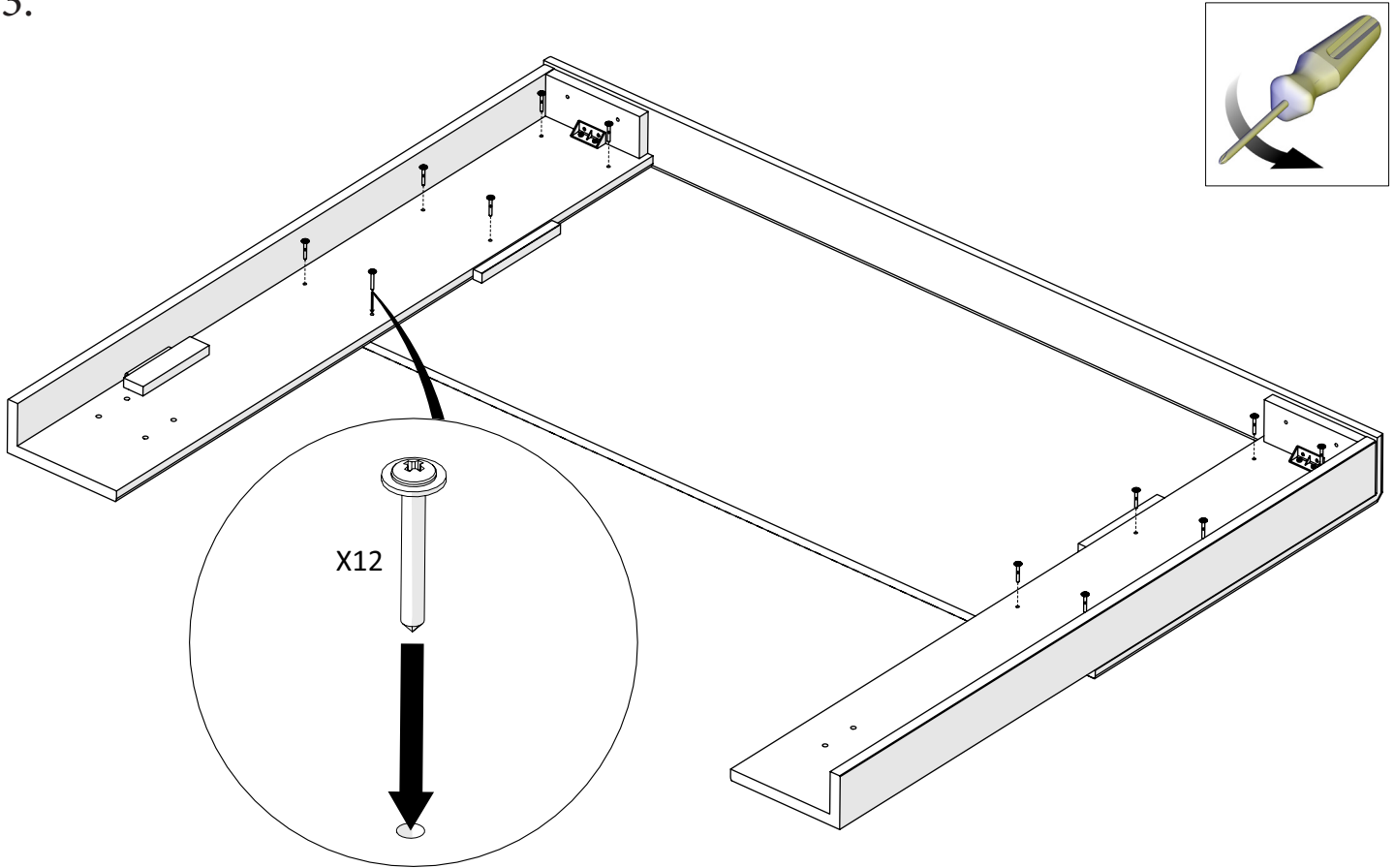
1.



2.



3.



4.

