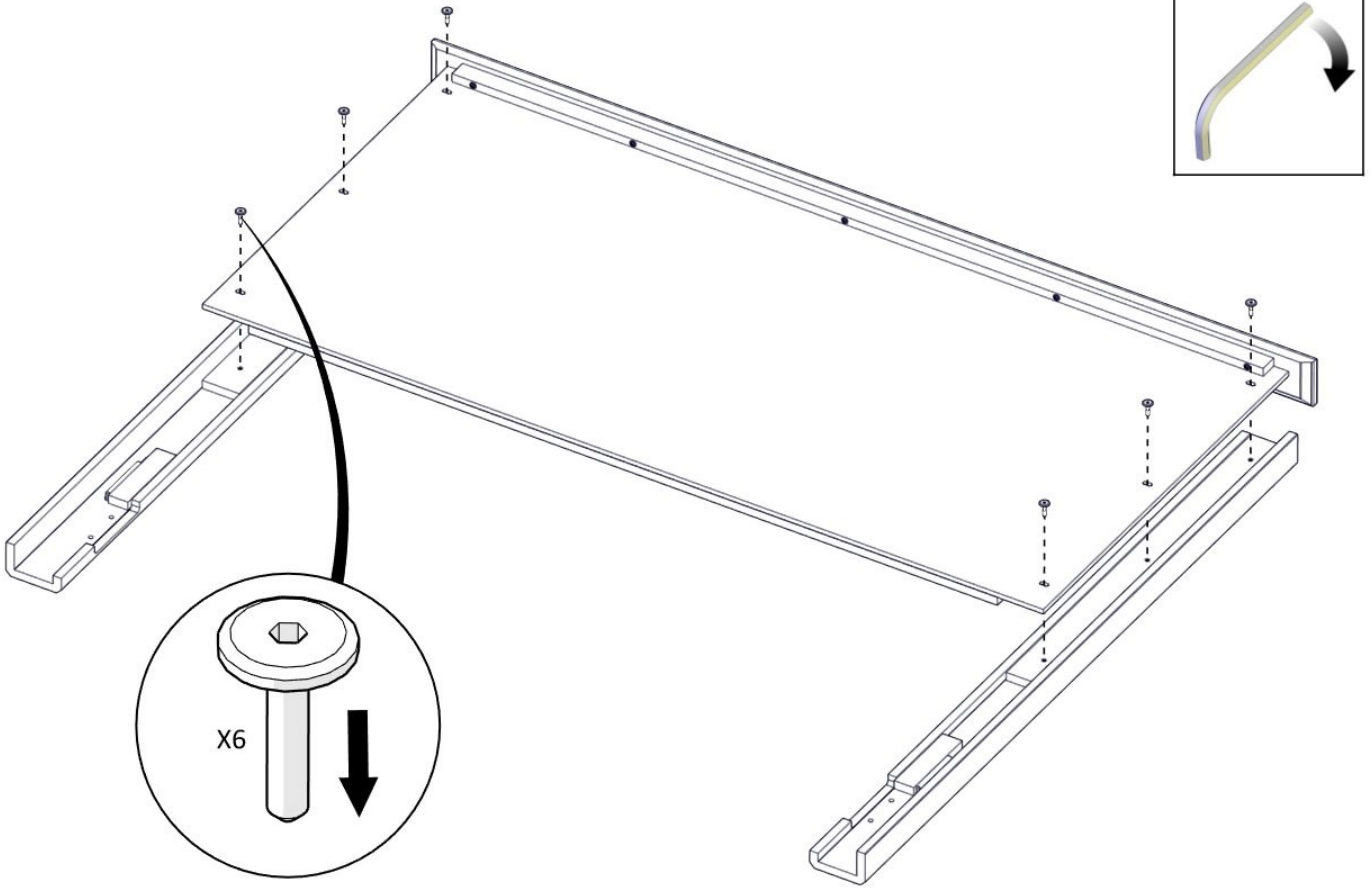


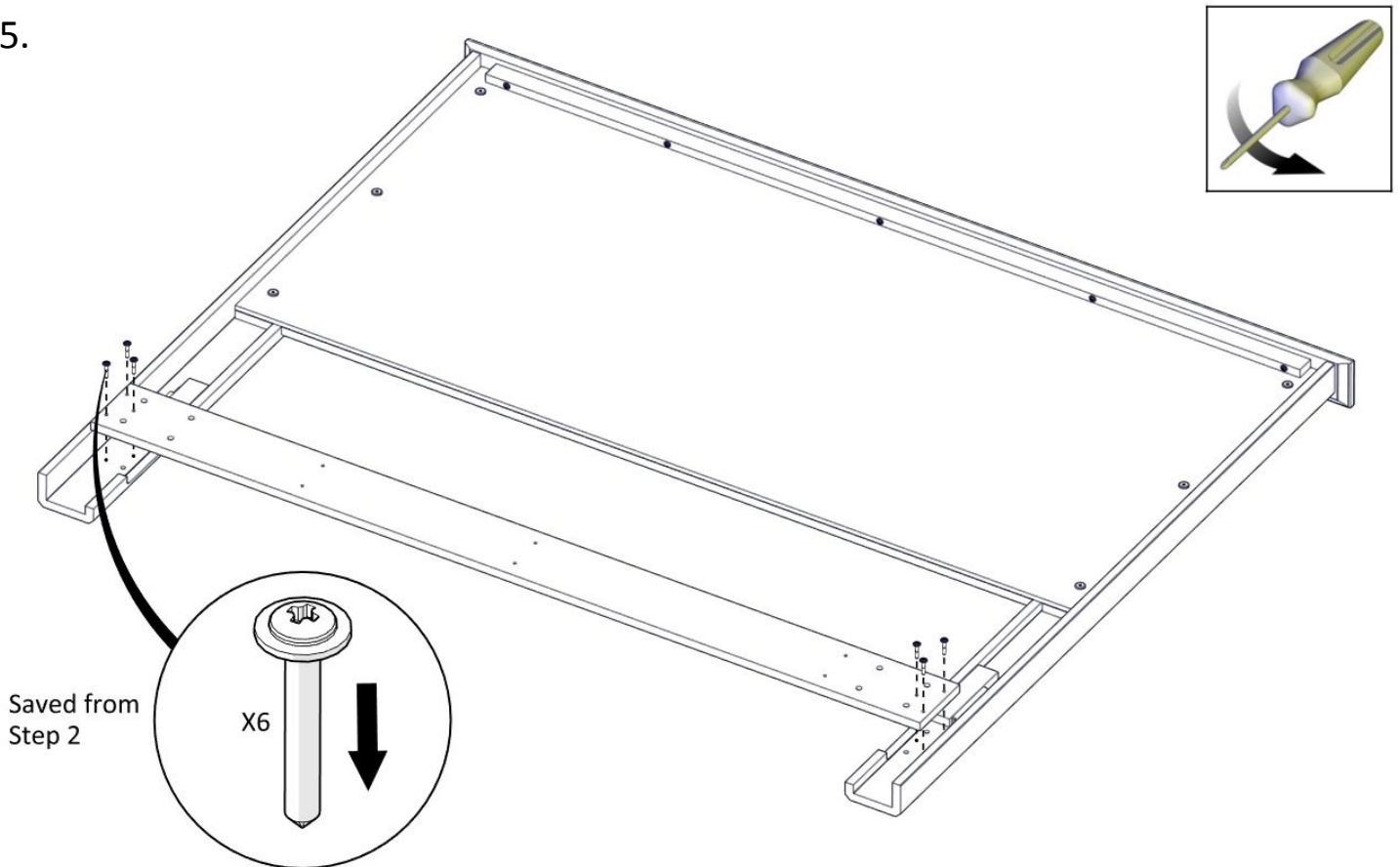




4.



5.



Saved from  
Step 2