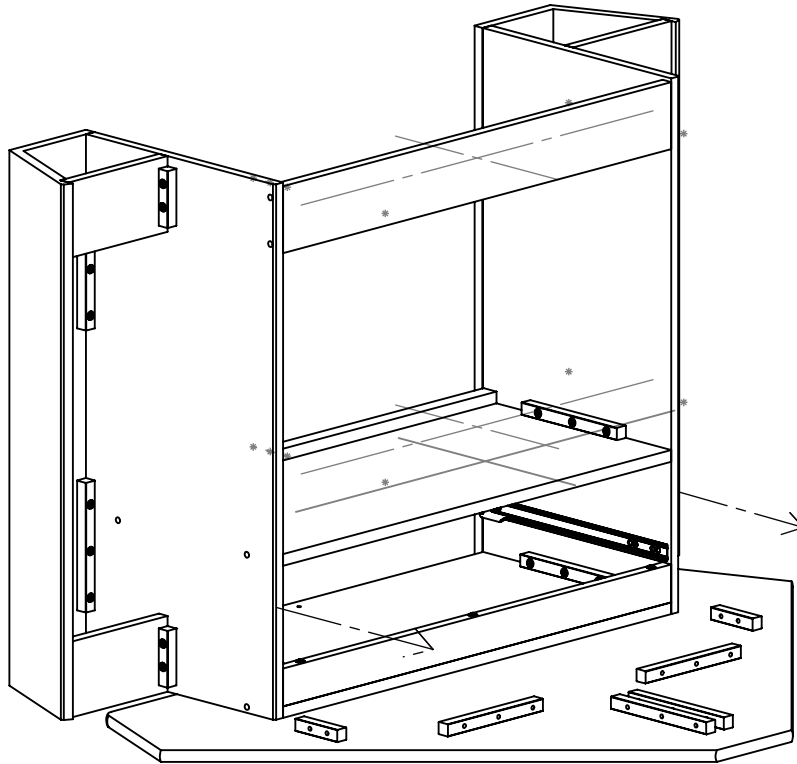


DWG#: 141046

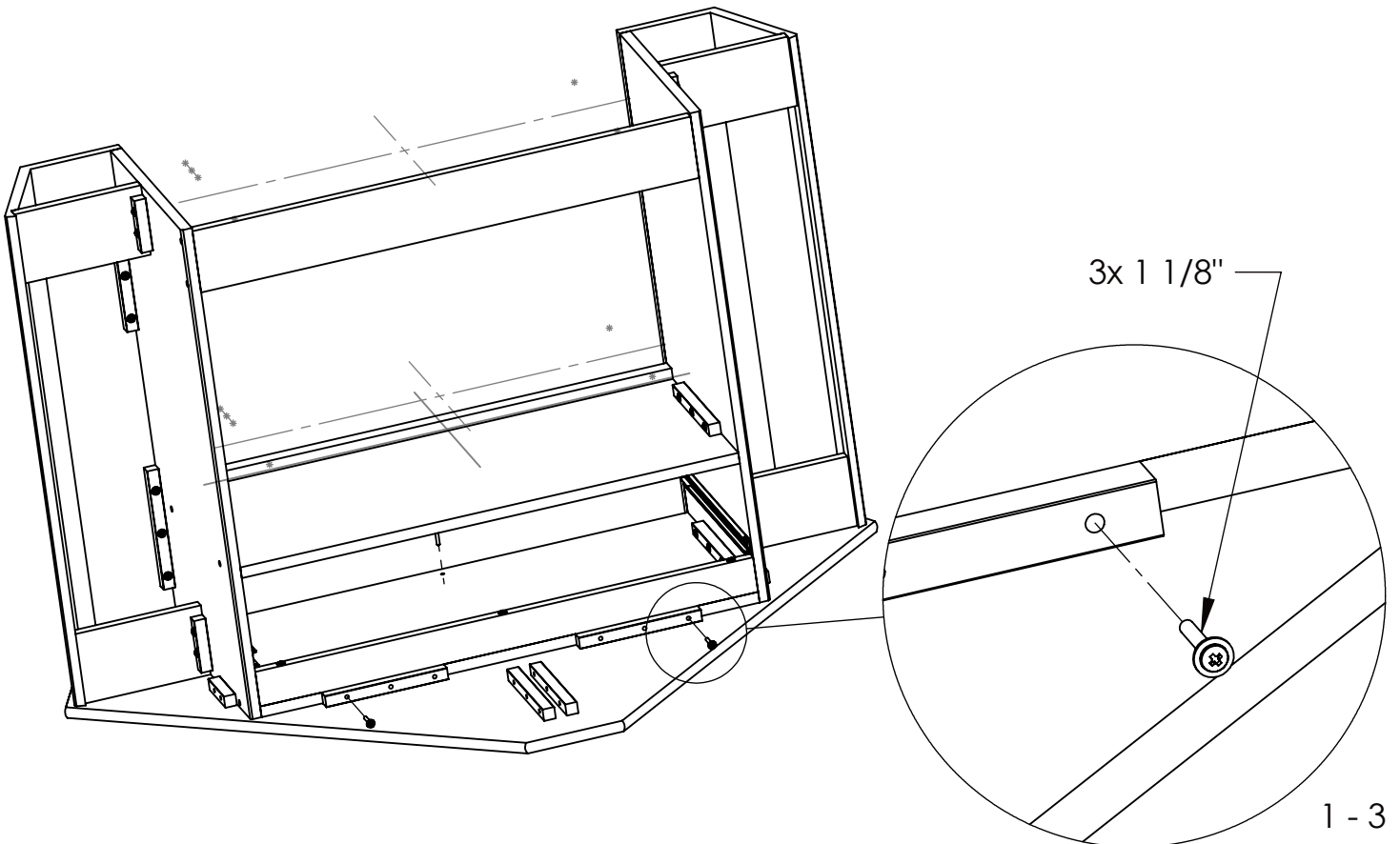
11/23/2010

Rev.	Description	Date	Cad/Eng
A	ADDED VIEW 3	1/3/2011	TH/RG
B	UPDATED VIEW IN STEP 5	1/5/2011	TH

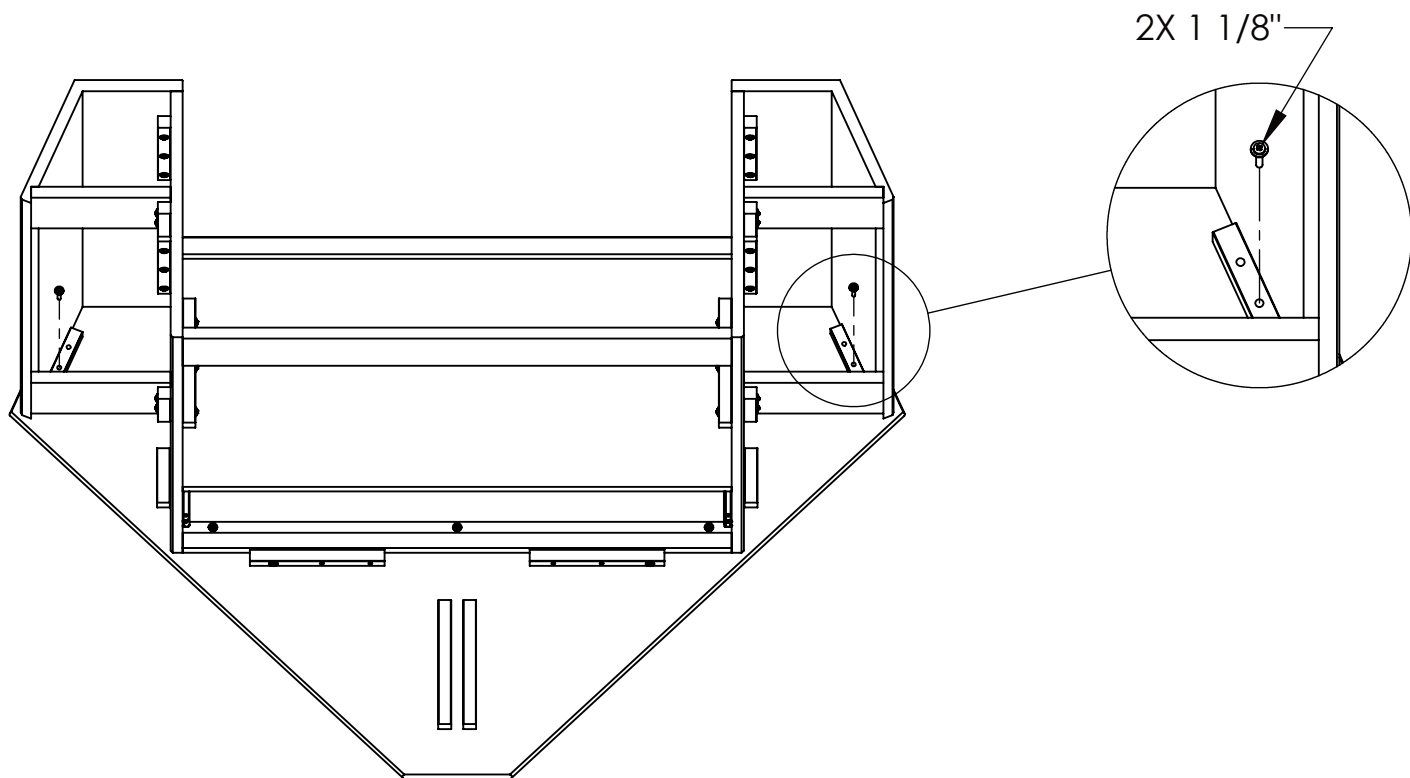
1.



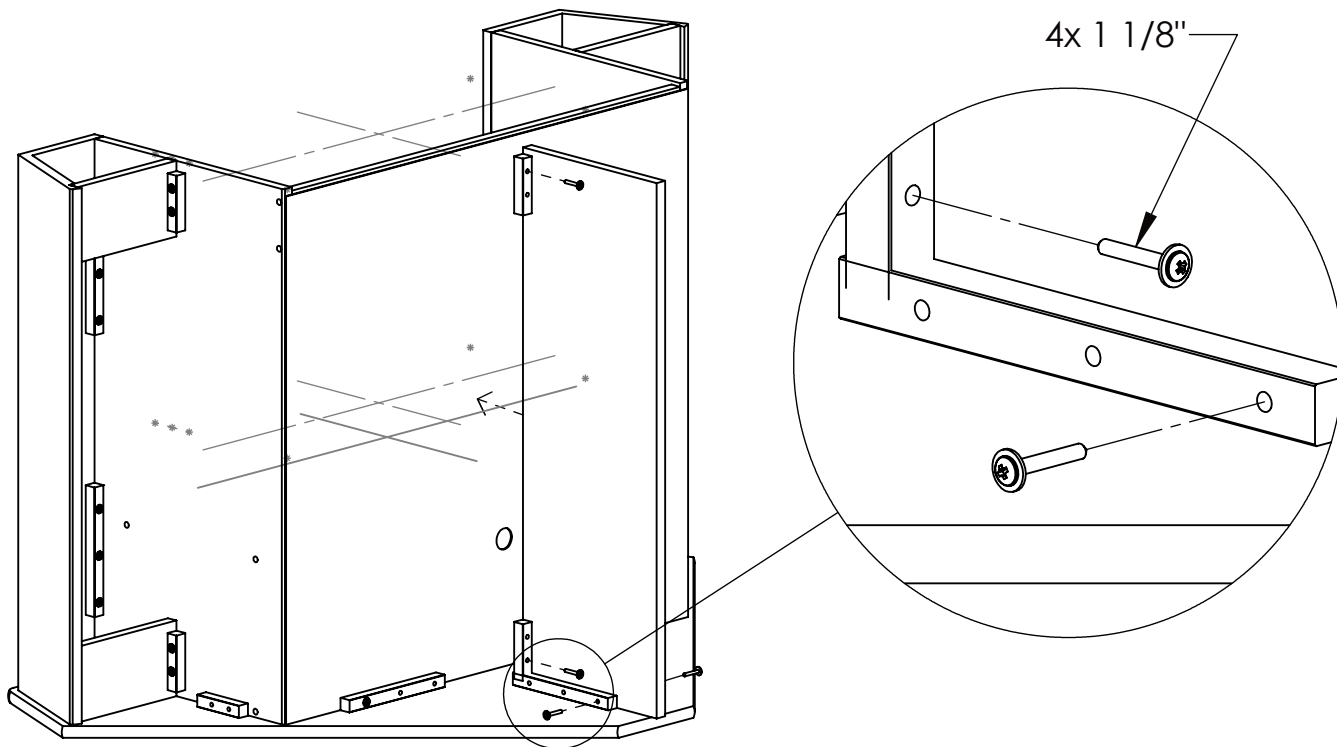
2.



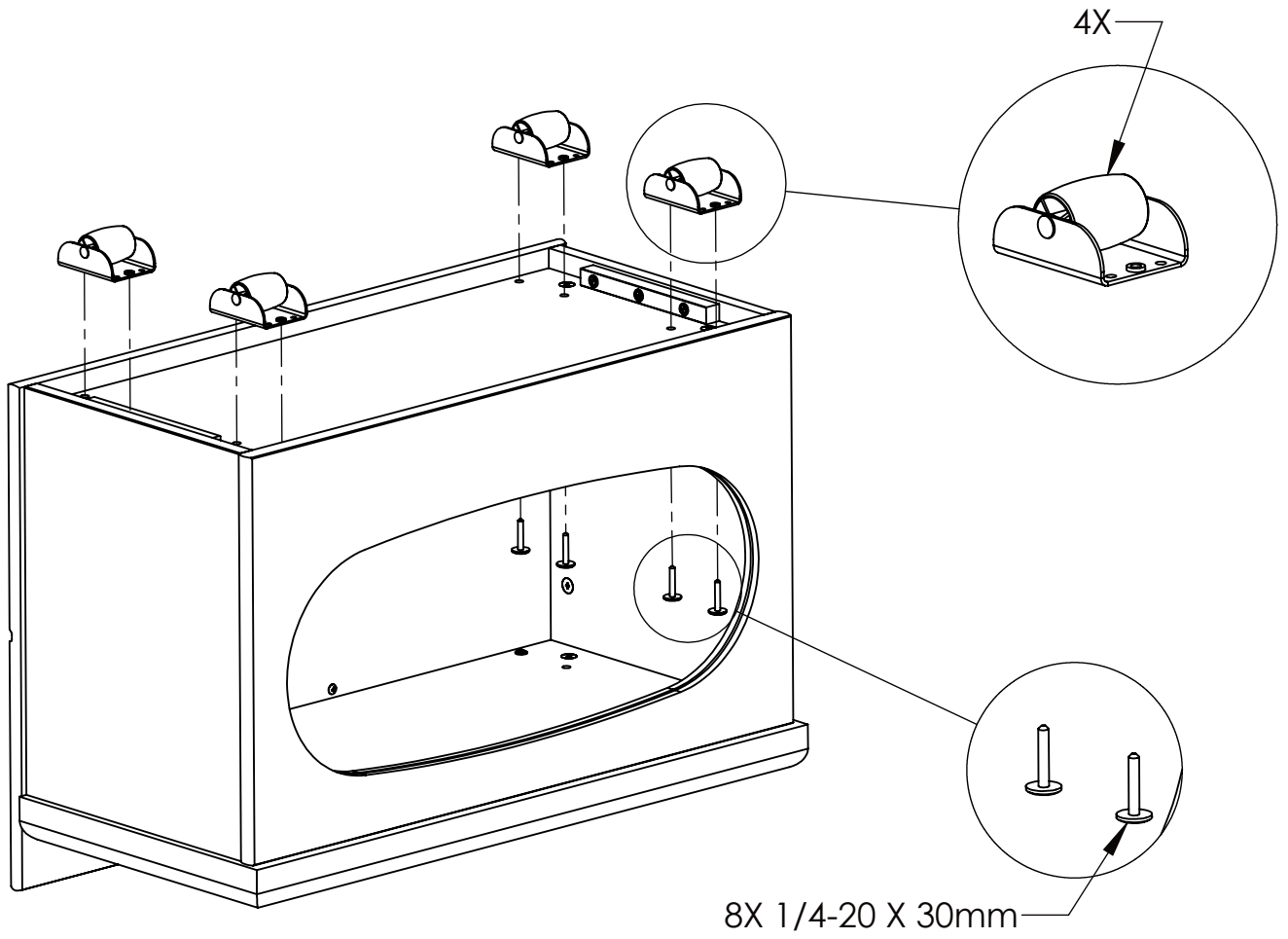
3.



4.



5.



6.

