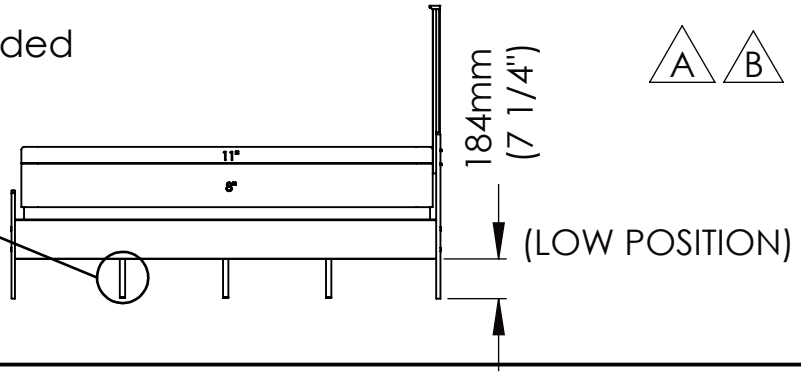
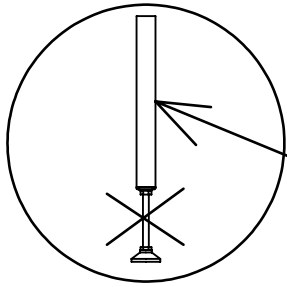


This bag contains small parts that present a choking hazard for children under 3 years of age. These parts are for adult assembly only and should be permanently affixed to the furniture. Any unused parts should be discarded properly.

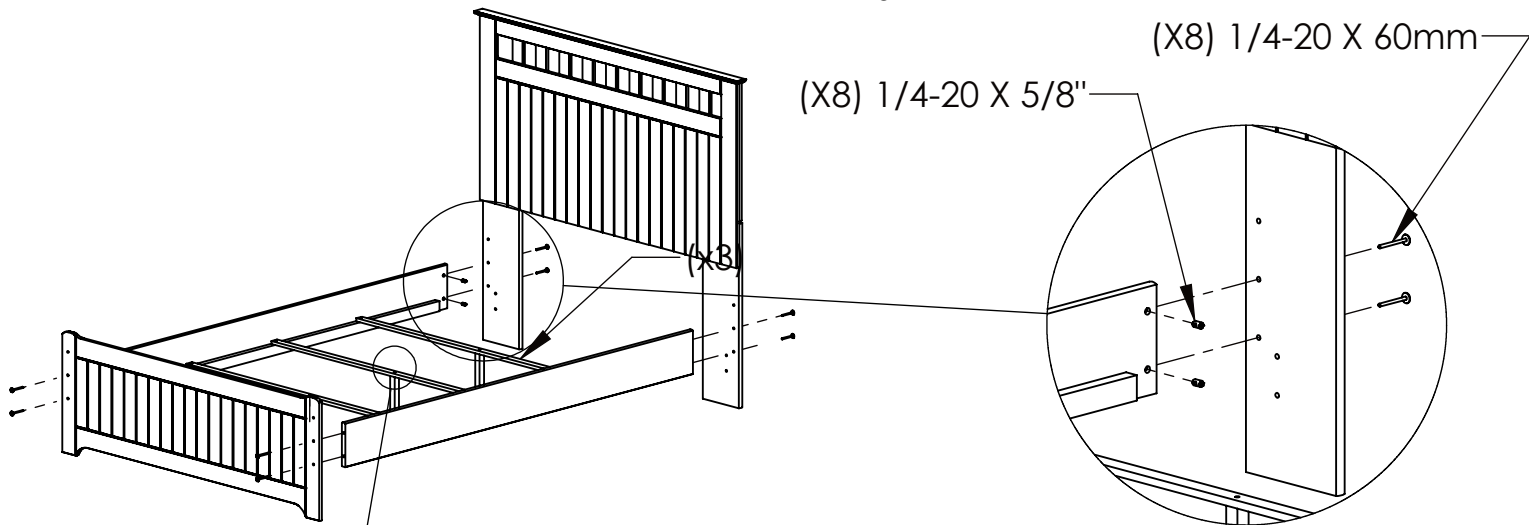
DWG#: 140995

11/5/2010

Rev.	Description	Date	Cad/Eng
A	UPDATED ASSEMBLY	1/12/2011	TH
B	UPDATED VIEW (PG. 3)	2/13/2012	TH

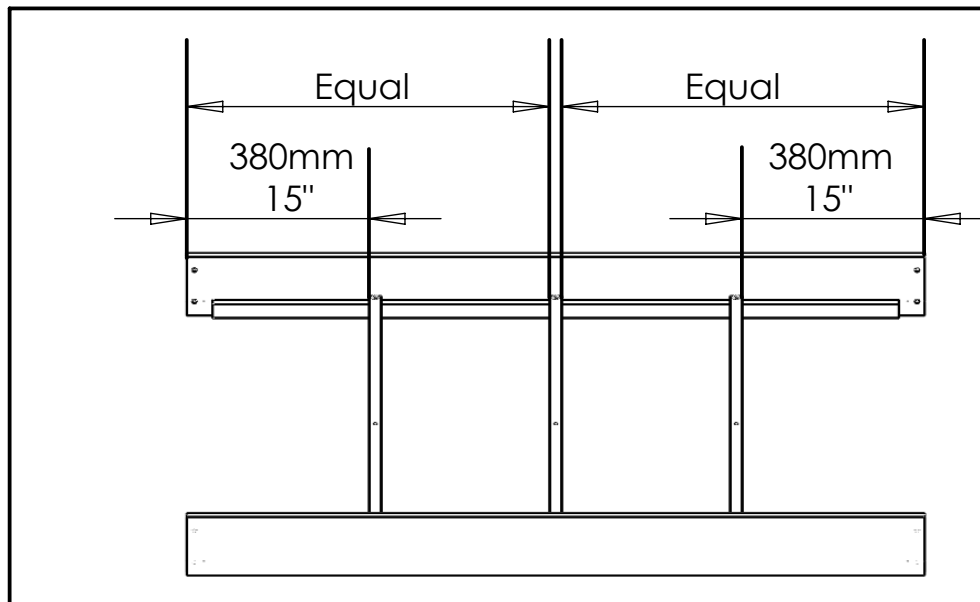
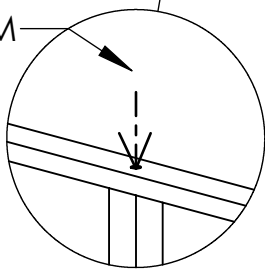


STEP 1

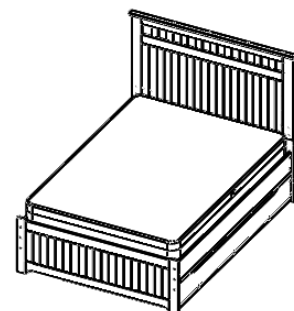
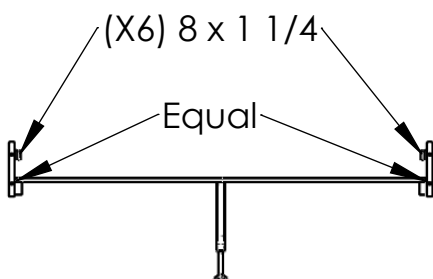


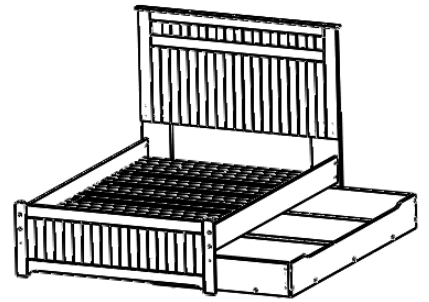
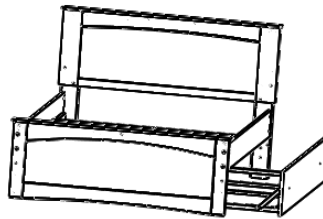
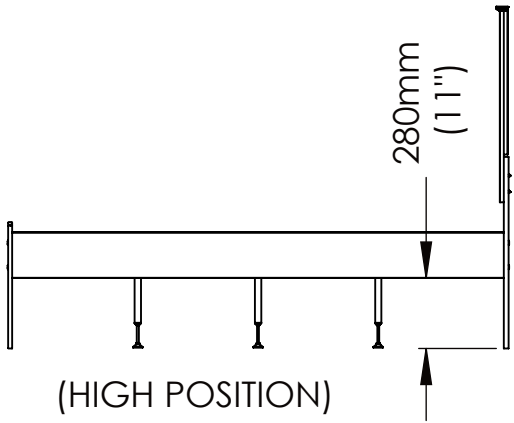
STEP 2

(X3) 30MM

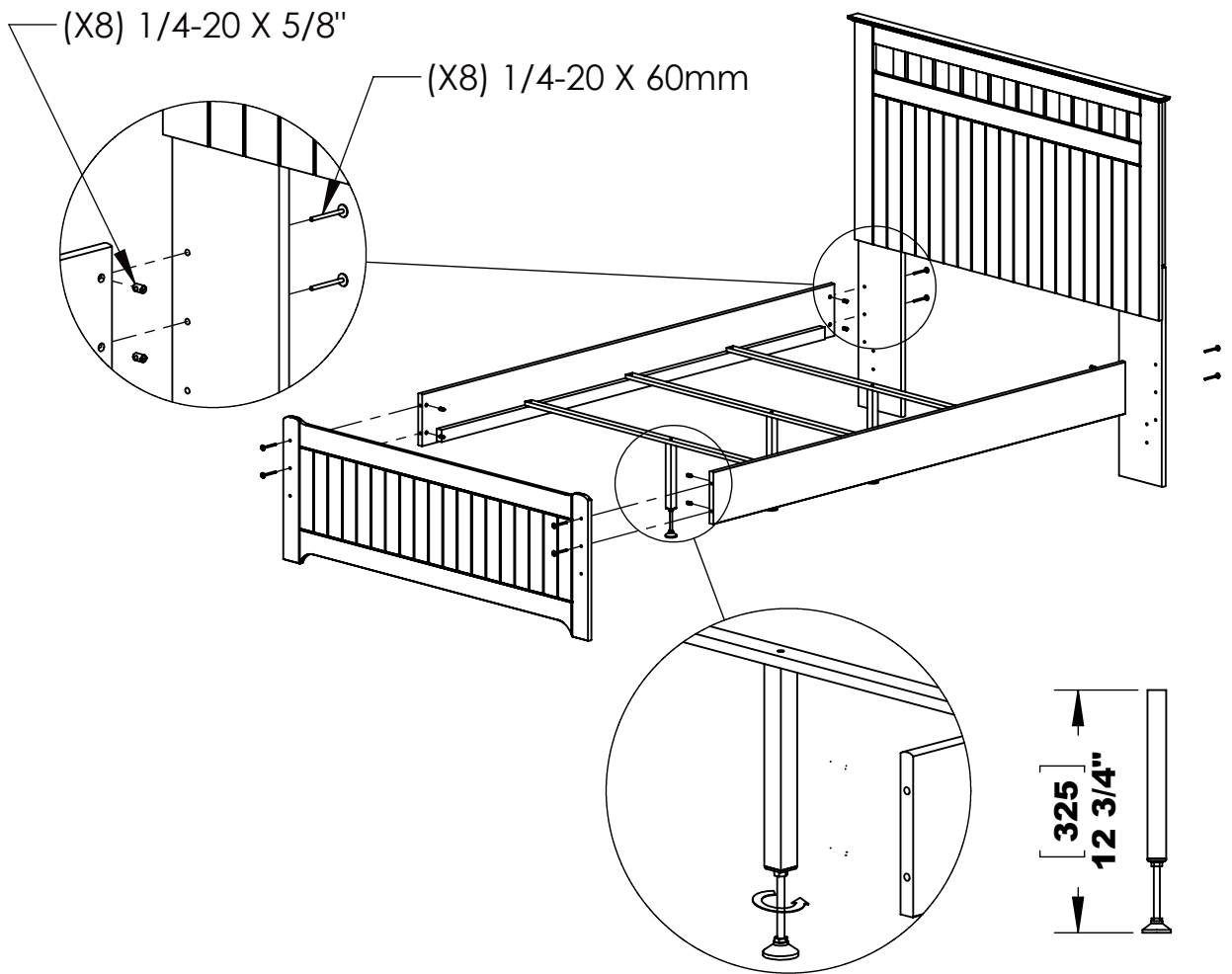


STEP 3





STEP 1



STEP 2

Follow instruction included with roll slats

