
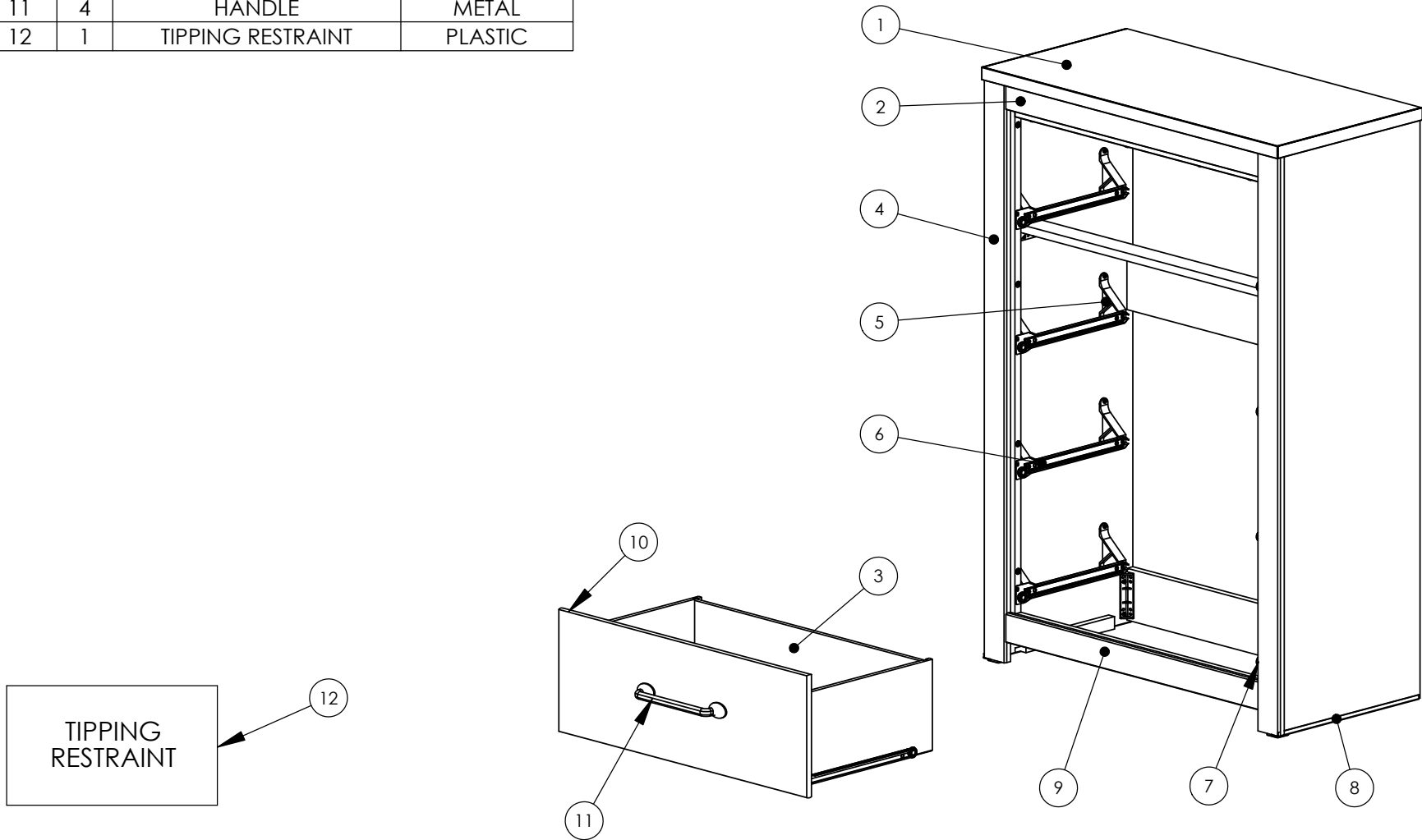


Item#	Qty	Description	MATERIAL
1	1	TOP ASSEMBLY	WOOD
2	1	MOULDING ASSEMBLY	WOOD
3	4	TOP DRAWER ASSEMBLY	WOOD, METAL
4	2	PILASTER	WOOD
5	16	GLIDE SPACER	PLASTIC
6	4	LEFT CABINET GLIDE	METAL, PLASTIC
7	4	RIGHT CABINET GLIDE	METAL, PLASTIC
8	2	CHANNEL MOULDING	PLASTIC
9	1	BASESTRIP ASSEMBLY	WOOD
10	8	FELT PAD	FABRIC
11	4	HANDLE	METAL
12	1	TIPPING RESTRAINT	PLASTIC

Dwg#: 35390			
Scale: 1:12		TOLERANCES ARE: METRIC: +.5 / -.5mm DECIMAL: 0 / -.005" FRACTIONAL: +0 / -1/32" (UNLESS OTHERWISE SPECIFIED)	
Date: 4/27/2020		Desc: Chest	
Rev.	Description	Date	Cad/Eng



TIPPING RESTRAINT