
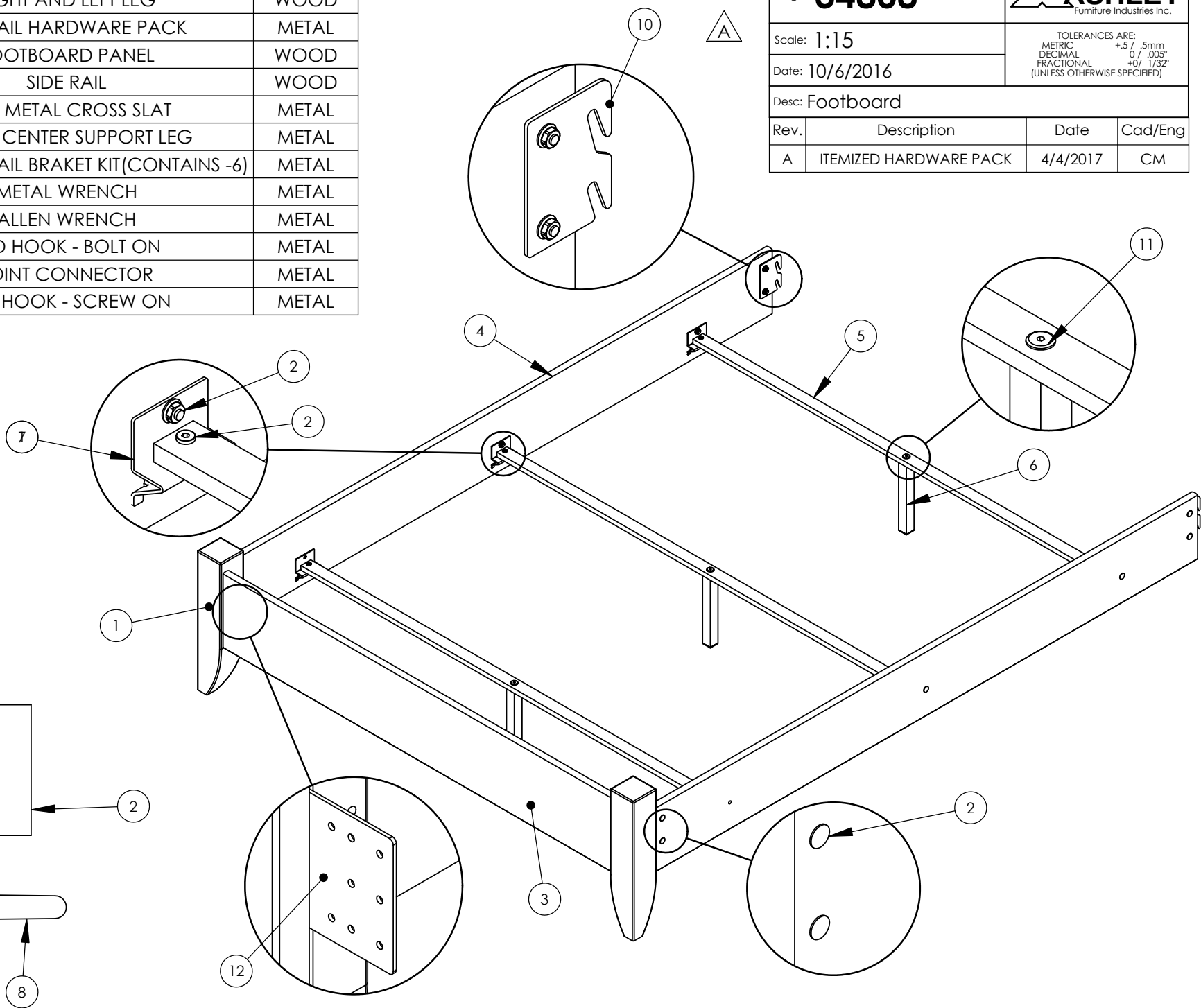


Item#	Qty	Description	MATERIAL
1	2	RIGHT AND LEFT LEG	WOOD
2	1	BED RAIL HARDWARE PACK	METAL
3	1	FOOTBOARD PANEL	WOOD
4	2	SIDE RAIL	WOOD
5	3	FULL METAL CROSS SLAT	METAL
6	3	METAL CENTER SUPPORT LEG	METAL
7	1	METAL BED RAIL BRACKET KIT (CONTAINS -6)	METAL
8	1	METAL WRENCH	METAL
9	1	ALLEN WRENCH	METAL
10	4	BED HOOK - BOLT ON	METAL
11	3	JOINT CONNECTOR	METAL
12	2	BED HOOK - SCREW ON	METAL

Dwg#: <b>34808</b>			
Scale: 1:15		TOLERANCES ARE: METRIC: +.5 / -.5mm DECIMAL: 0 / -.005" FRACTIONAL: +0 / -1/32" (UNLESS OTHERWISE SPECIFIED)	
Date: 10/6/2016		Desc: Footboard	
Rev.	Description	Date	Cad/Eng
A	ITEMIZED HARDWARE PACK	4/4/2017	CM



**Bolt Pack**  
 Carriage Bolts  
 Bolts  
 Hex Nuts  
 Allen Wrench

