
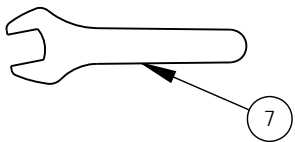
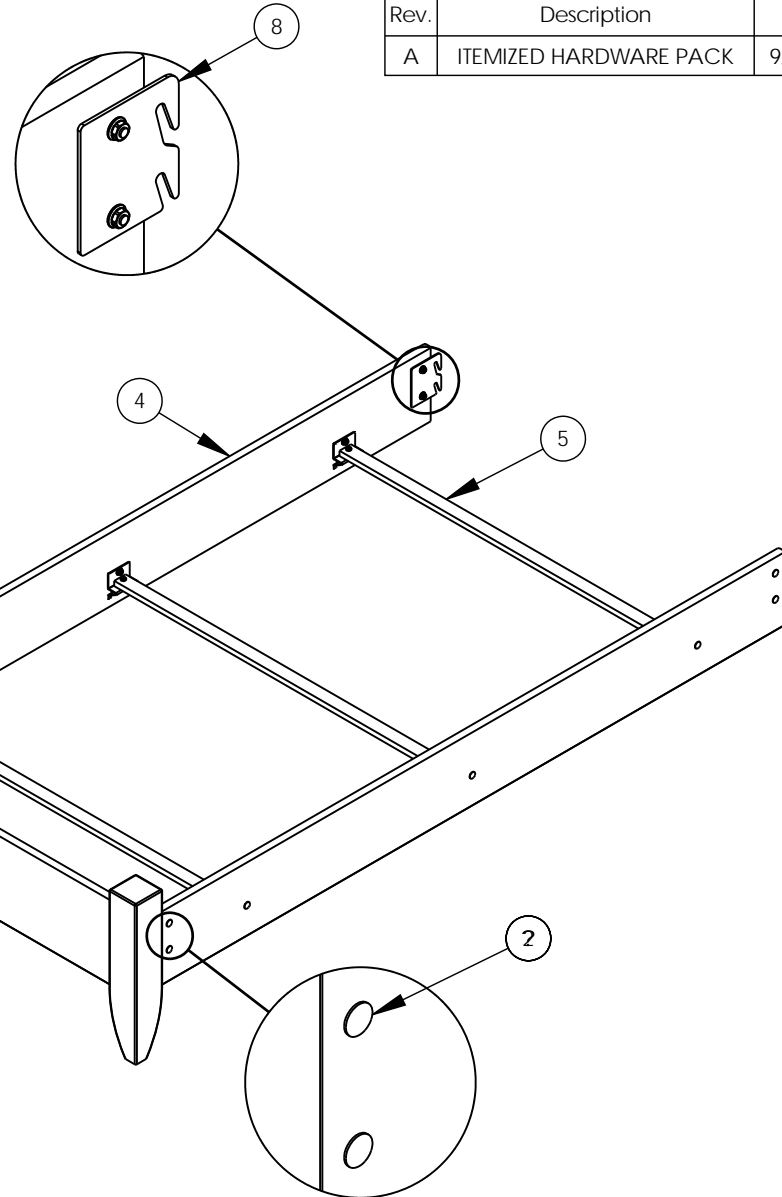


Item#	Qty	Description	MATERIAL
1	2	RIGHT & LEFT LEG	WOOD
2	1	BED RAIL HARDWARE PACK	METAL
3	1	FOOTBOARD PANEL	WOOD
4	2	SIDE RAIL	WOOD
5	3	METAL CROSS SLAT	METAL
6	1	METAL BED RAIL BRACKET KIT (CONTAINS 6)	METAL
7	1	METAL WRENCH	METAL
8	4	BED HOOK - BOLT ON	METAL

Dwg#: <b>34807</b>			
Scale: 1:15		TOLERANCES ARE: METRIC..... +.5 / -.5mm DECIMAL..... 0 / -.005" FRACTIONAL..... +0 / -.1/32" (UNLESS OTHERWISE SPECIFIED)	
Date: 10/5/2016		Desc: Footboard	
Rev.	Description	Date	Cad/Eng
A	ITEMIZED HARDWARE PACK	9/28/2017	BM



<u>Bolt Pack</u>
Carriage Bolts
Bolts
Hex Nuts
Allen Wrench

