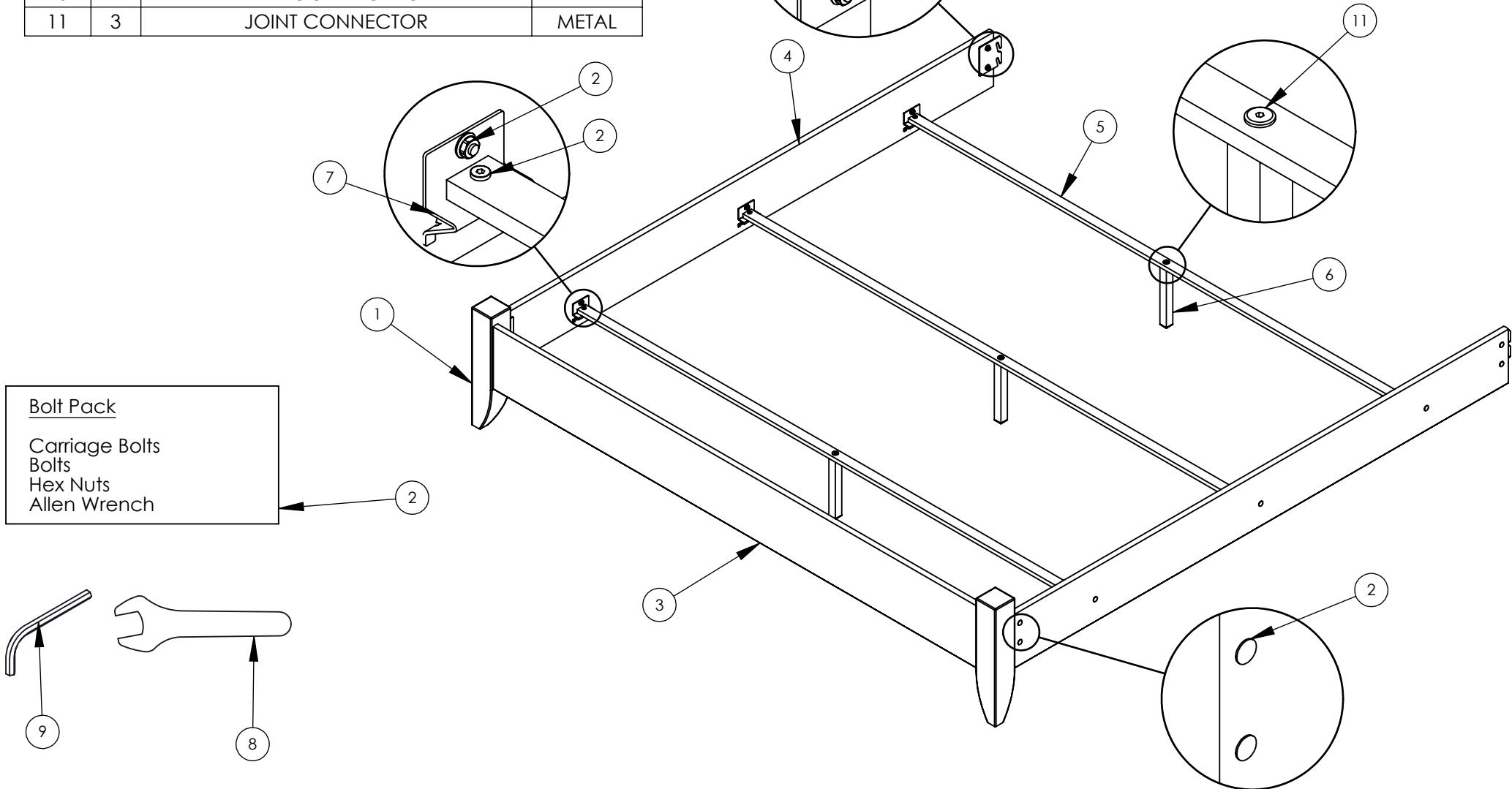


Item#	Qty	Description	MATERIAL
1	2	RIGHT AND LEFT LEG	WOOD
2	1	BED RAIL HARDWARE PACK	METAL
3	1	FOOTBOARD PANEL	WOOD
4	2	SIDE RAIL	WOOD
5	3	KING METAL CROSS SLAT	METAL
6	3	METAL CENTER SUPPORT LEG	METAL
7	1	METAL BED RAIL BRACKET KIT (CONTAINS -6)	METAL
8	1	METAL WRENCH	METAL
9	1	ALLEN WRENCH	METAL
10	4	BED HOOK - BOLT ON	METAL
11	3	JOINT CONNECTOR	METAL

Dwg#: 34597			
Scale: 1:15		TOLERANCES ARE: METRIC: +.5 / -.5mm DECIMAL: 0 / -.005" FRACTIONAL: +0 / -1/32" (UNLESS OTHERWISE SPECIFIED)	
Date: 5/5/2015		Desc: Footboard DETAIL D	
Rev.	Description	Date	Cad/Eng
A	ITEMIZED HARDWARE PACK	4/4/2017	CM



Bolt Pack
 Carriage Bolts
 Bolts
 Hex Nuts
 Allen Wrench

