
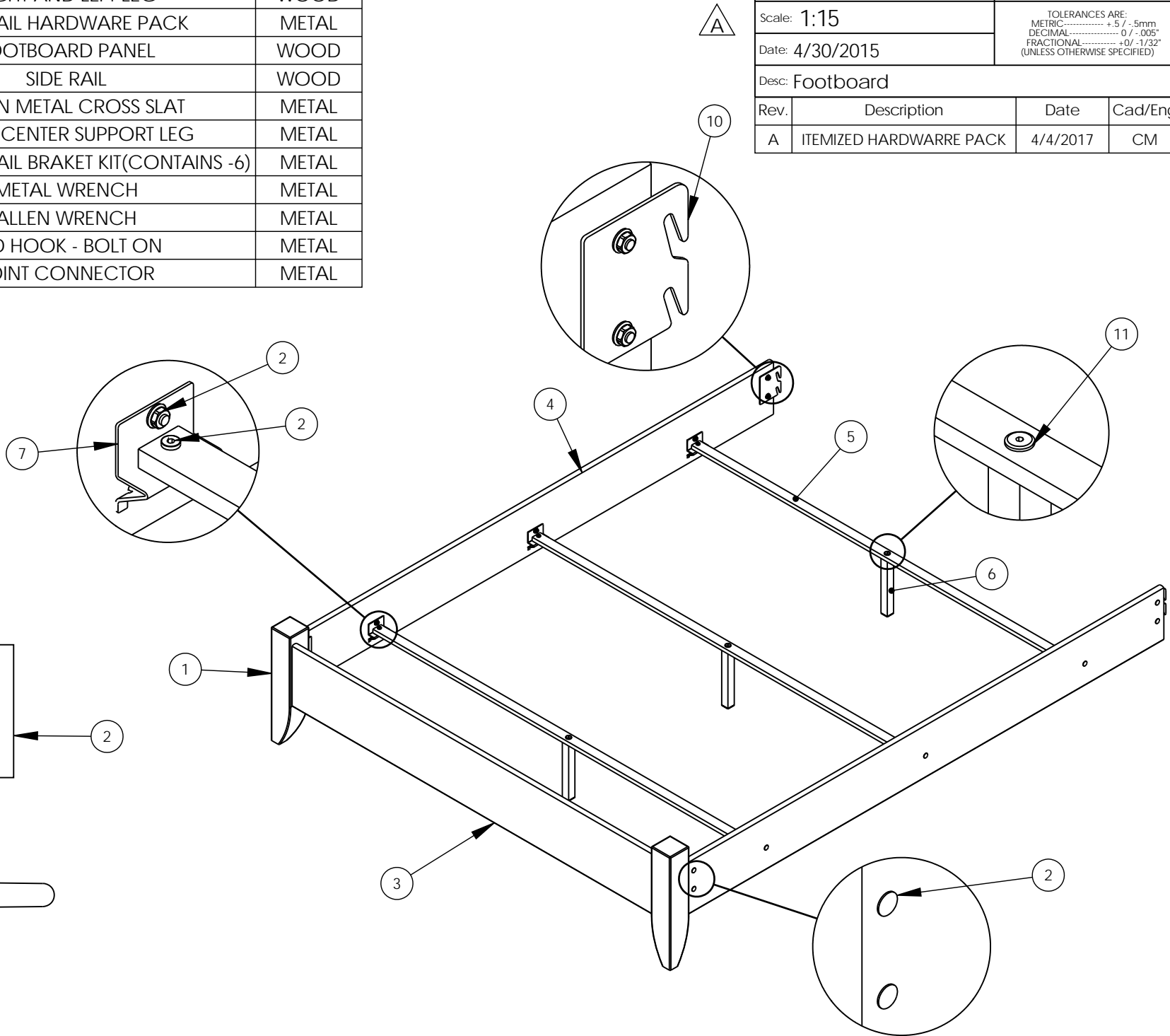


Item#	Qty	Description	MATERIAL
1	2	RIGHT AND LEFT LEG	WOOD
2	1	BED RAIL HARDWARE PACK	METAL
3	1	FOOTBOARD PANEL	WOOD
4	2	SIDE RAIL	WOOD
5	3	QUEEN METAL CROSS SLAT	METAL
6	3	METAL CENTER SUPPORT LEG	METAL
7	1	METAL BED RAIL BRACKET KIT (CONTAINS -6)	METAL
8	1	METAL WRENCH	METAL
9	1	ALLEN WRENCH	METAL
10	4	BED HOOK - BOLT ON	METAL
11	3	JOINT CONNECTOR	METAL

Dwg#: <b>34596</b>			
Scale: 1:15		TOLERANCES ARE: METRIC..... +.5 / -.5mm DECIMAL..... 0 / -.005" FRACTIONAL..... +0/-.1/32" (UNLESS OTHERWISE SPECIFIED)	
Date: 4/30/2015		Desc: Footboard	
Rev.	Description	Date	Cad/Eng
A	ITEMIZED HARDWARRE PACK	4/4/2017	CM



Bolt Pack  
 Carriage Bolts  
 Bolts  
 Hex Nuts  
 Allen Wrench

