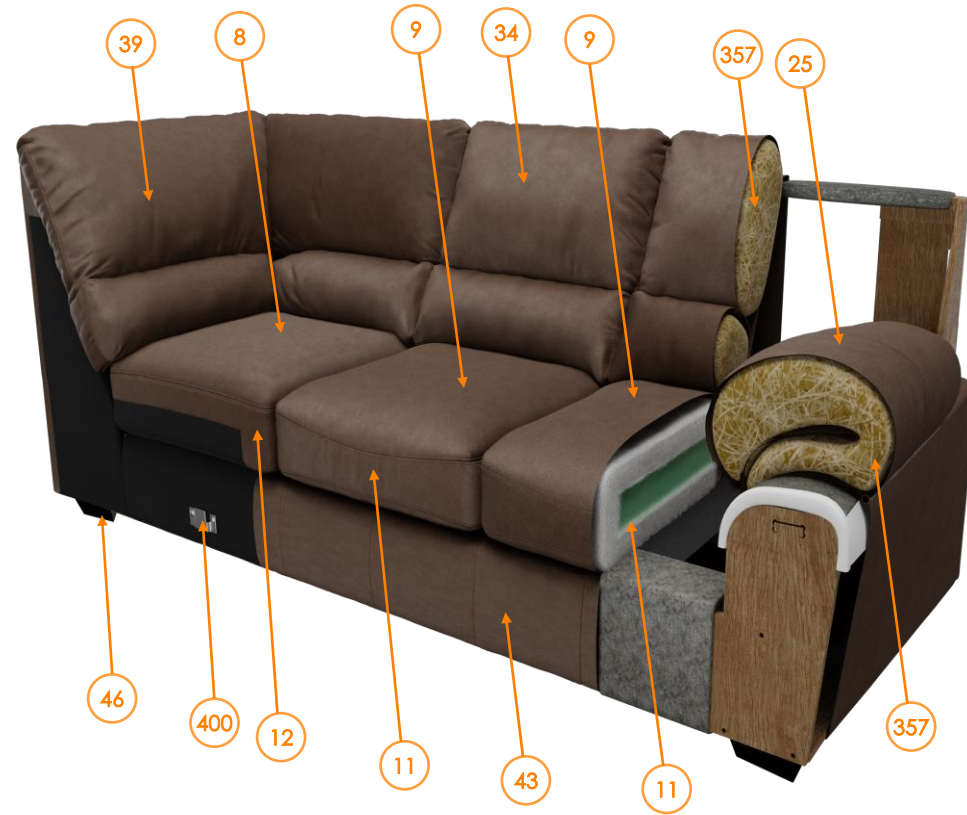
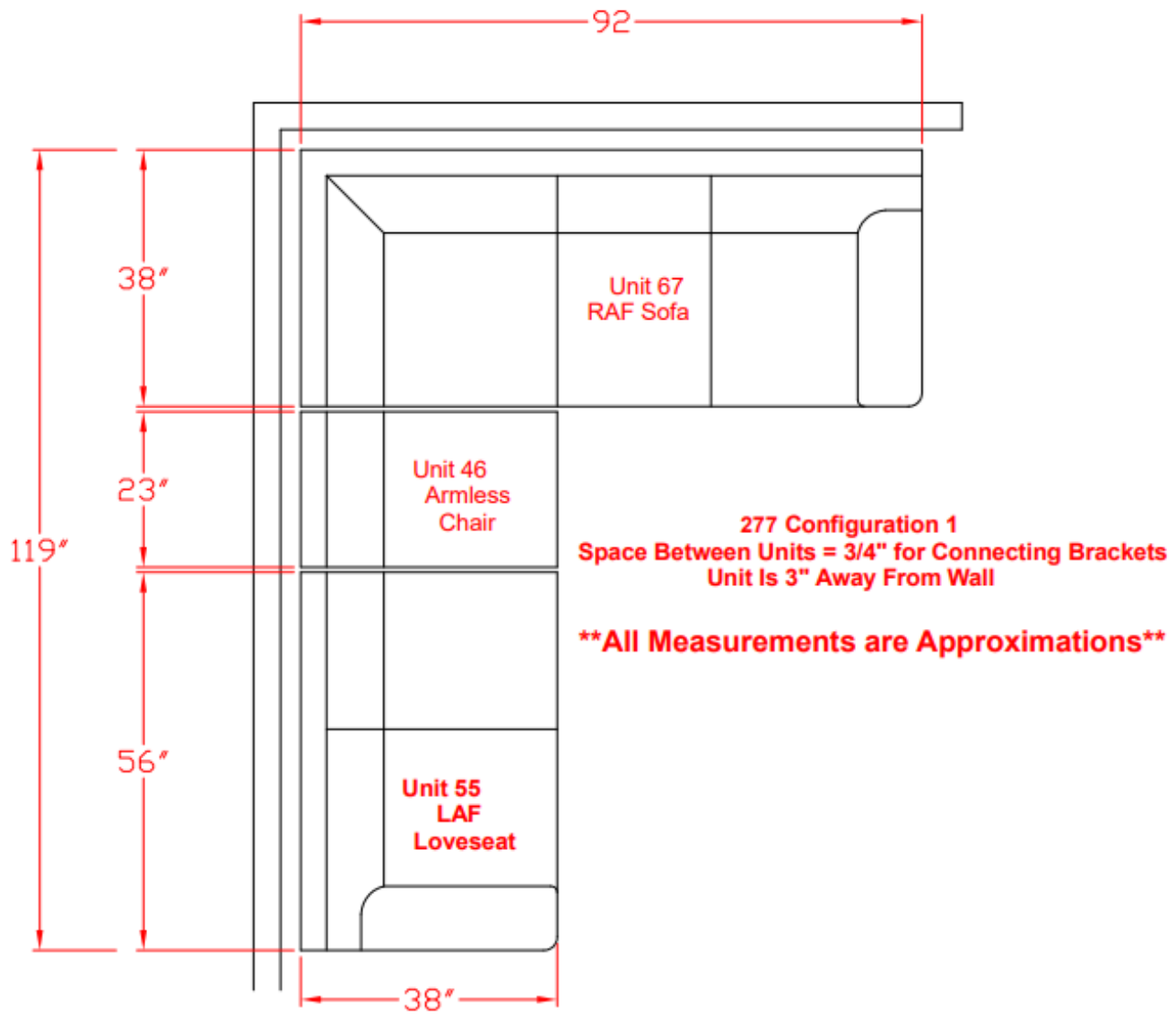
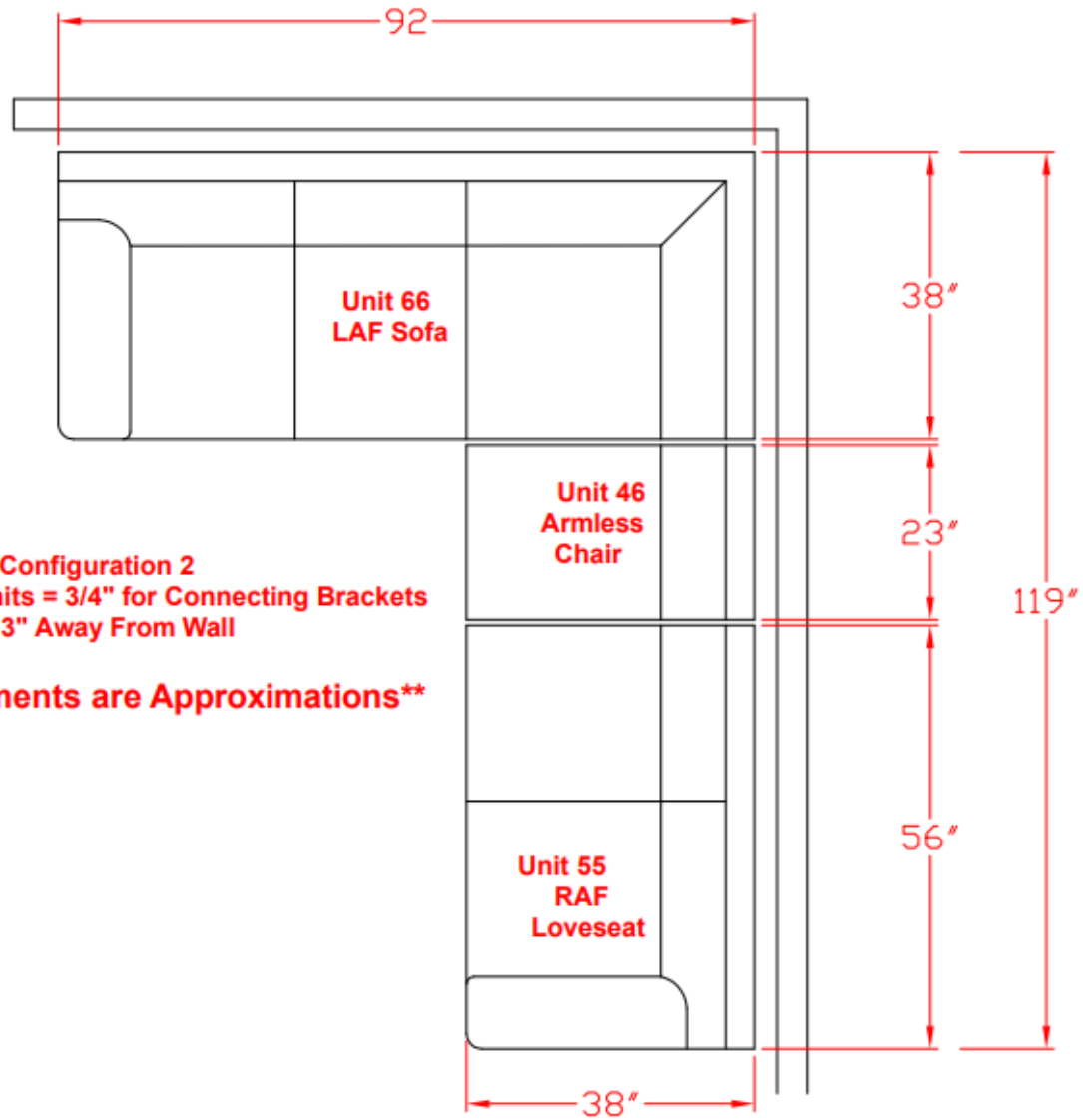


RPs' information 2770567

Call out	Part Number	Description	Qty	Material
8	2770567130	LAF CUSHION CASING	1	Fabric
9	2770538030	CUSHION CASING	2	Fabric
11	420353RP	POLY C CUSH	2	FOAM, LMF
12	427562RP	POLY CRN CUSH	1	FOAM, LMF
25	2770567281	RAF IN/OUT ARM	1	Fabric
34	2770567351	COMPLETE IN/OUT BACK	1	Fabric
39	2770567140	OPEN/END BACK	1	Fabric
43	2770567021	SEAT DECK AND FRONT BAND	1	Fabric
46	77489P1	LEG BLK PLSTC TRIBLK 1/P	4	Plastic
357	30651RP	FIBER RECYCLED BROWN	5	Fiber
400	74843RP	FURNITURE CONNECTOR	1	Metal
499	73507RP	BOLT 1/4-20X3/4 INCH	2	Metal

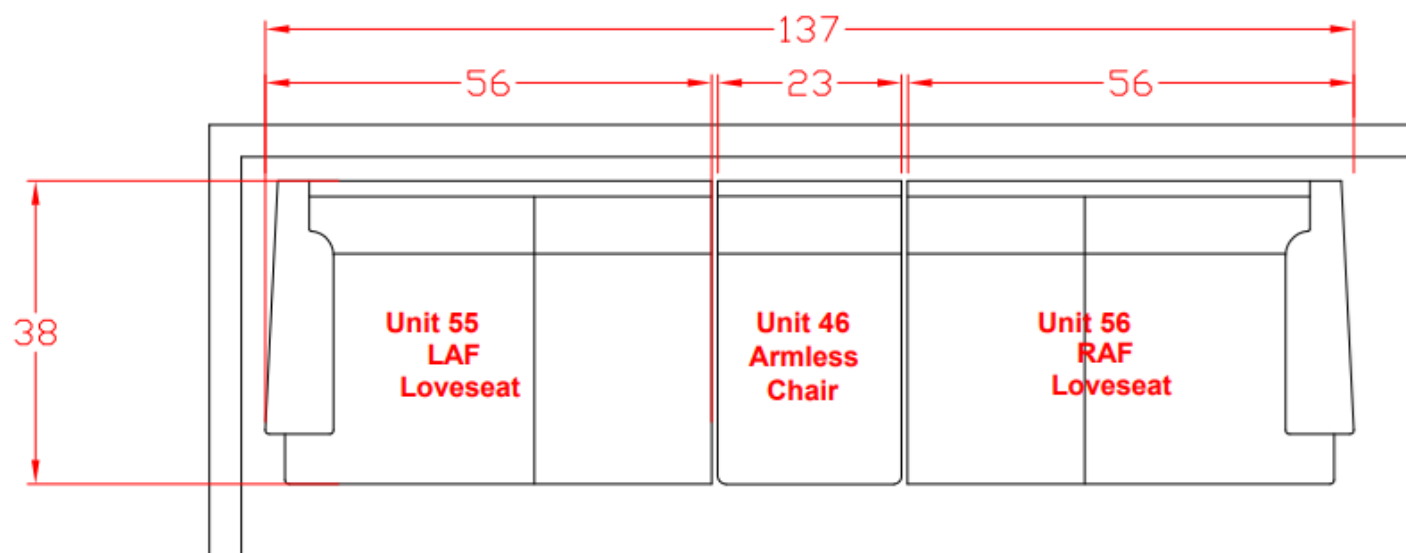






277 Configuration 2
Space Between Units = 3/4" for Connecting Brackets
Unit Is 3" Away From Wall

****All Measurements are Approximations****



277 Configuration 3
Space Between Units = 3/4" for Connecting Brackets
Unit Is 3" Away From Wall

****All Measurements are Approximations****