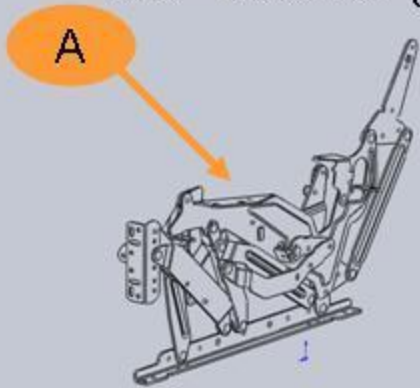


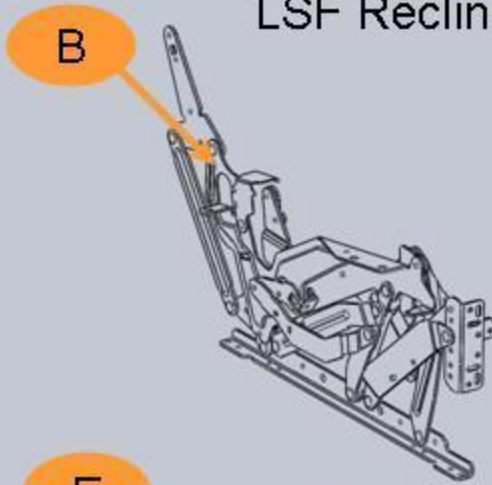
24.5" ZERO WALL ASSEMBLY INSTRUCTIONS

9/27/2011

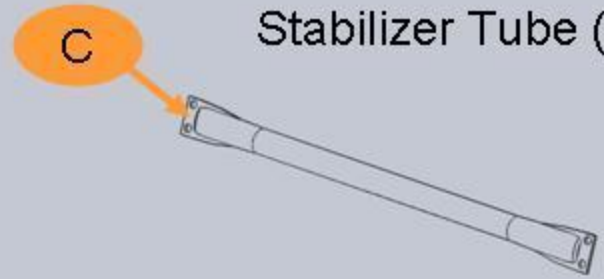
RSF Recliner (1)



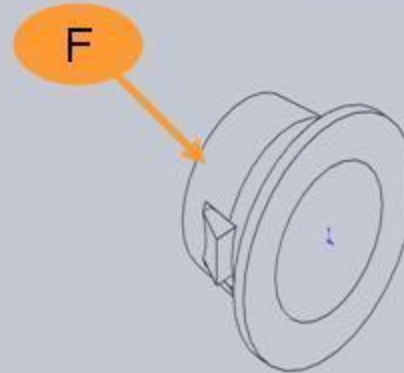
LSF Recliner (1)



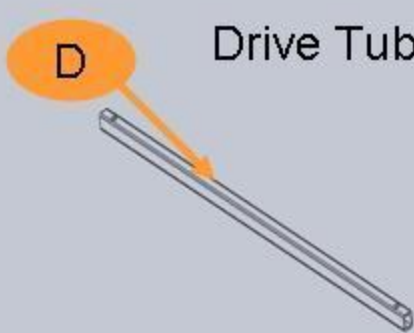
Stabilizer Tube (2)



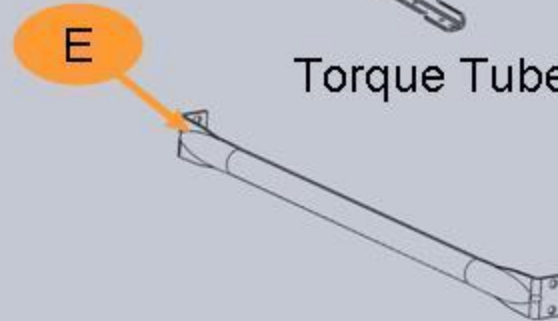
Bushing (2)



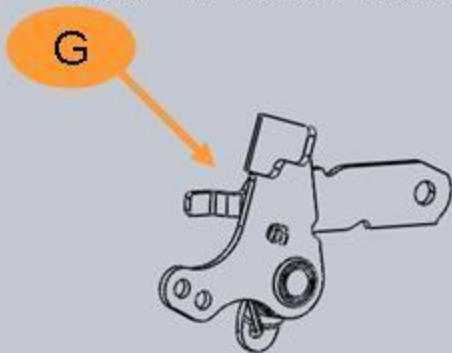
Drive Tube (1)



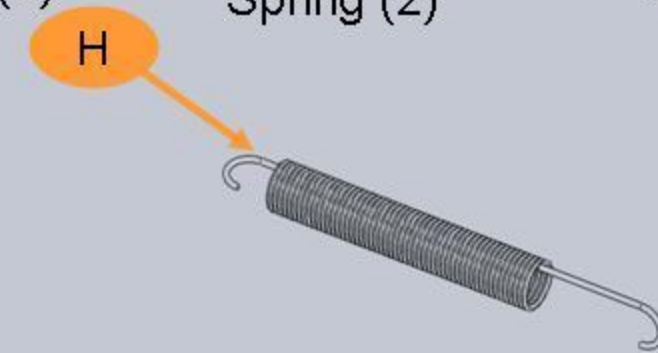
Torque Tube (1)



RSF 0-Wall Activator (1)



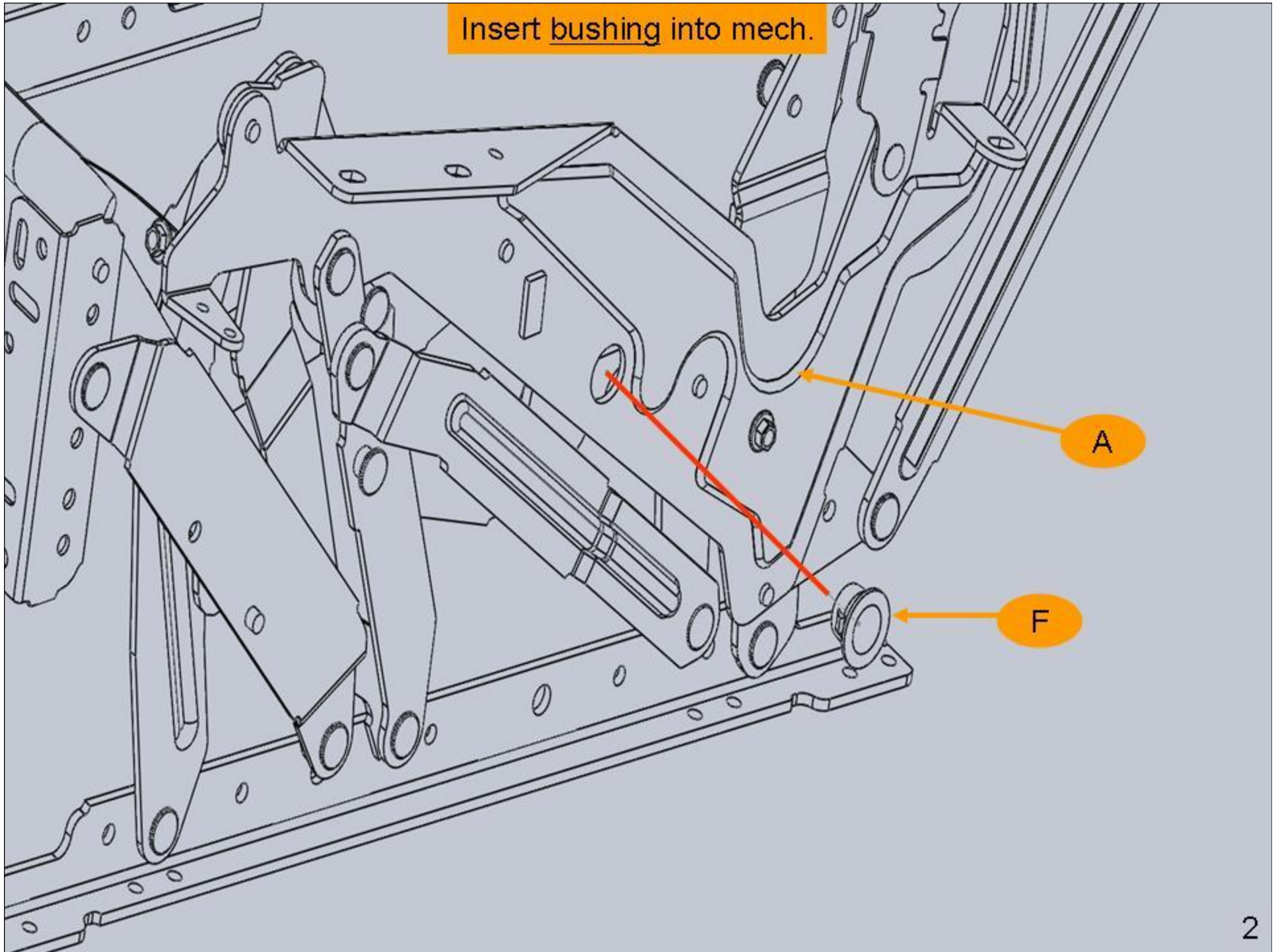
Spring (2)



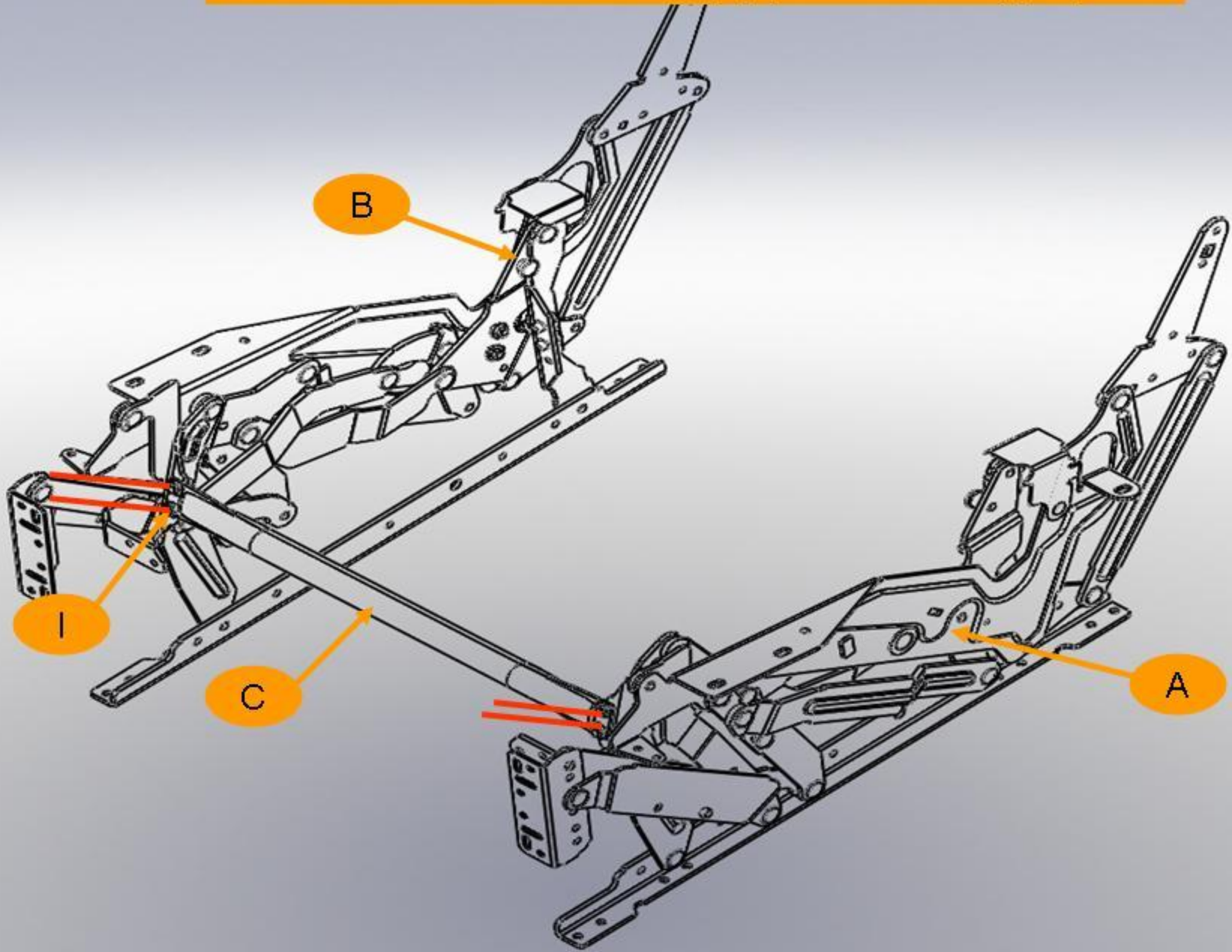
13mm Bolt (13) 22mm Bolt (2)



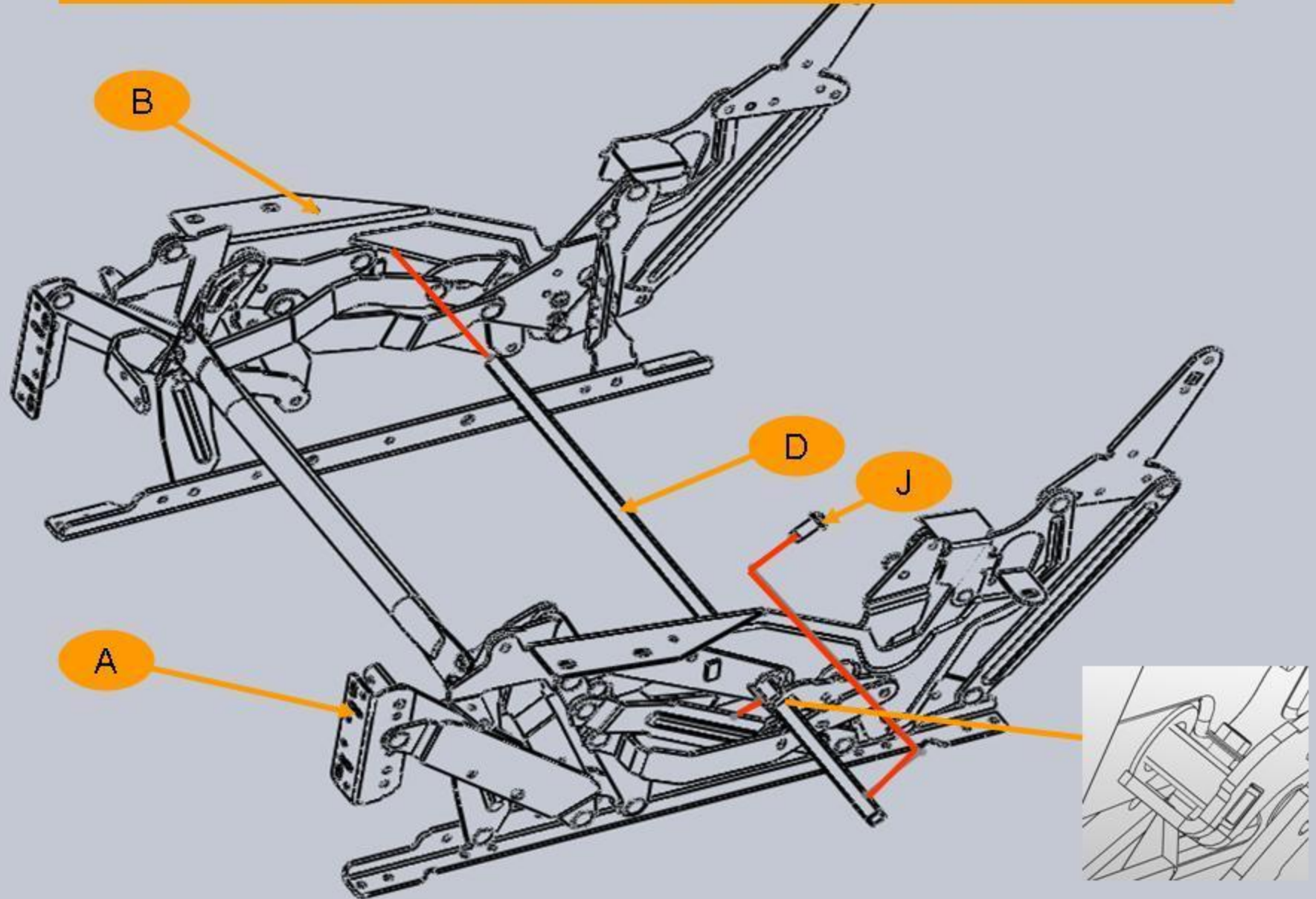
Insert bushing into mech.



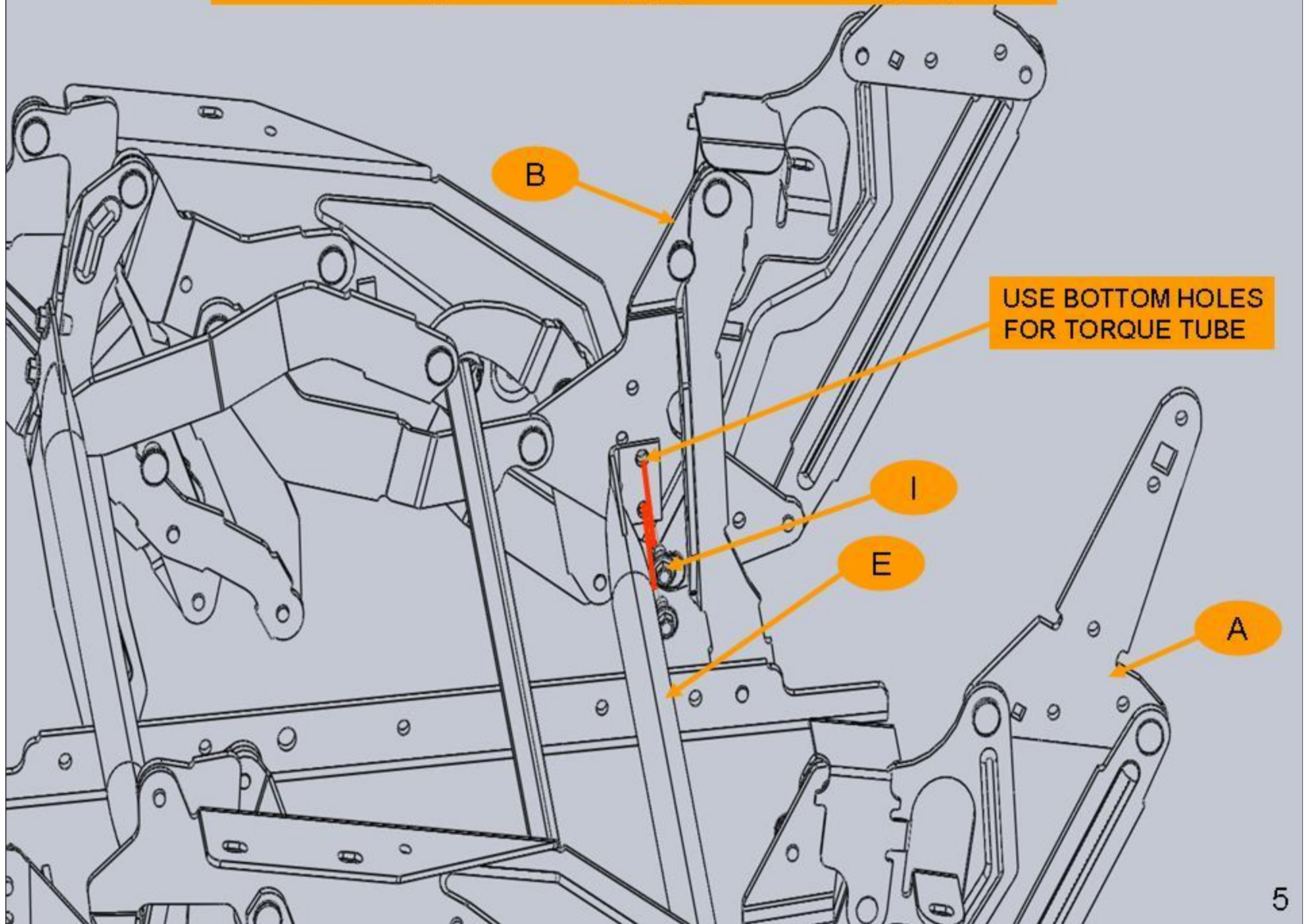
Install front stabilizer tube using (4) 13mm self-tapping bolts



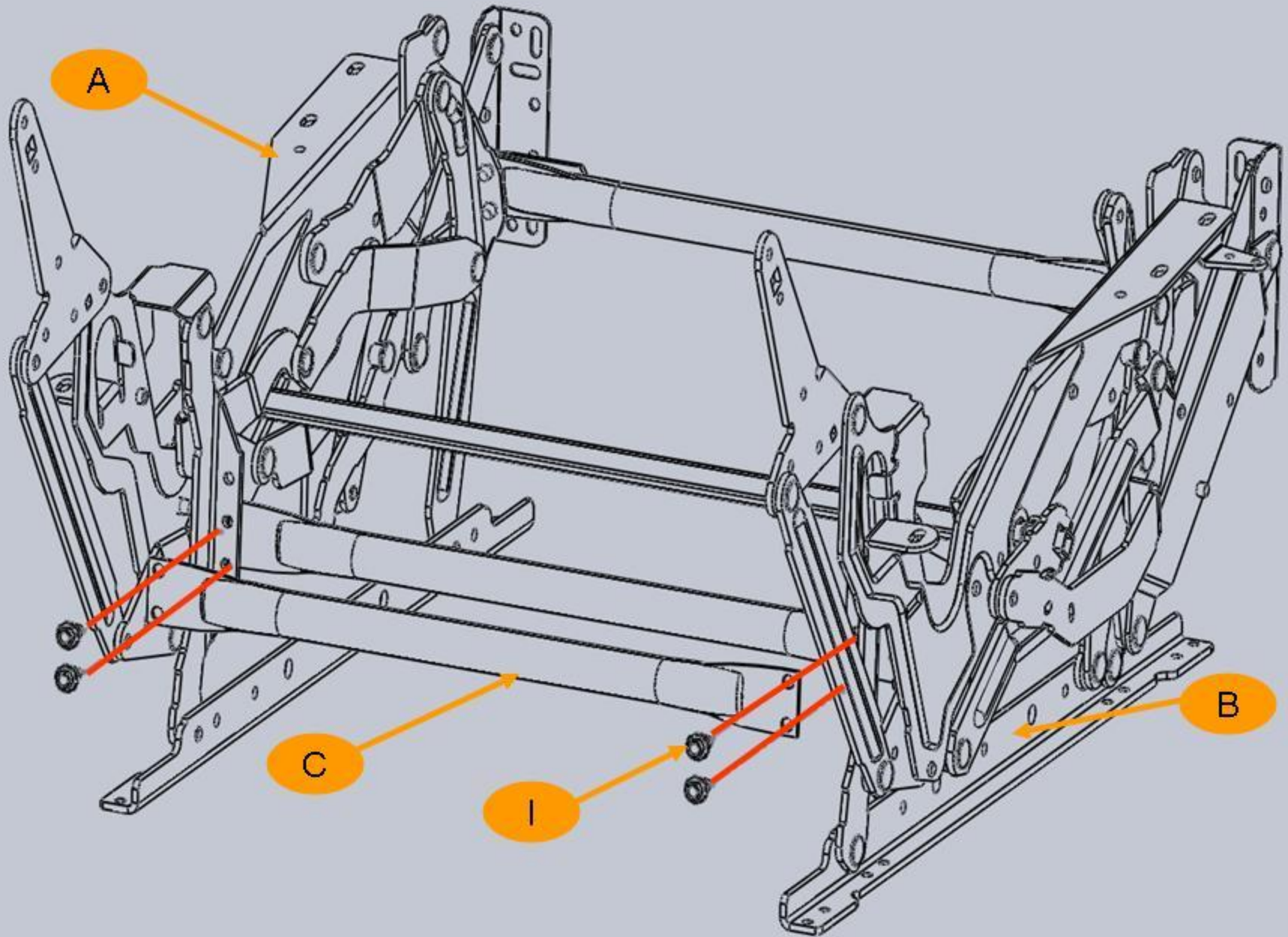
Insert drive tube into mech. Attach the drive link to drive using (2) 22mm self-tapping bolts going thru the drive tube and into the drive link.



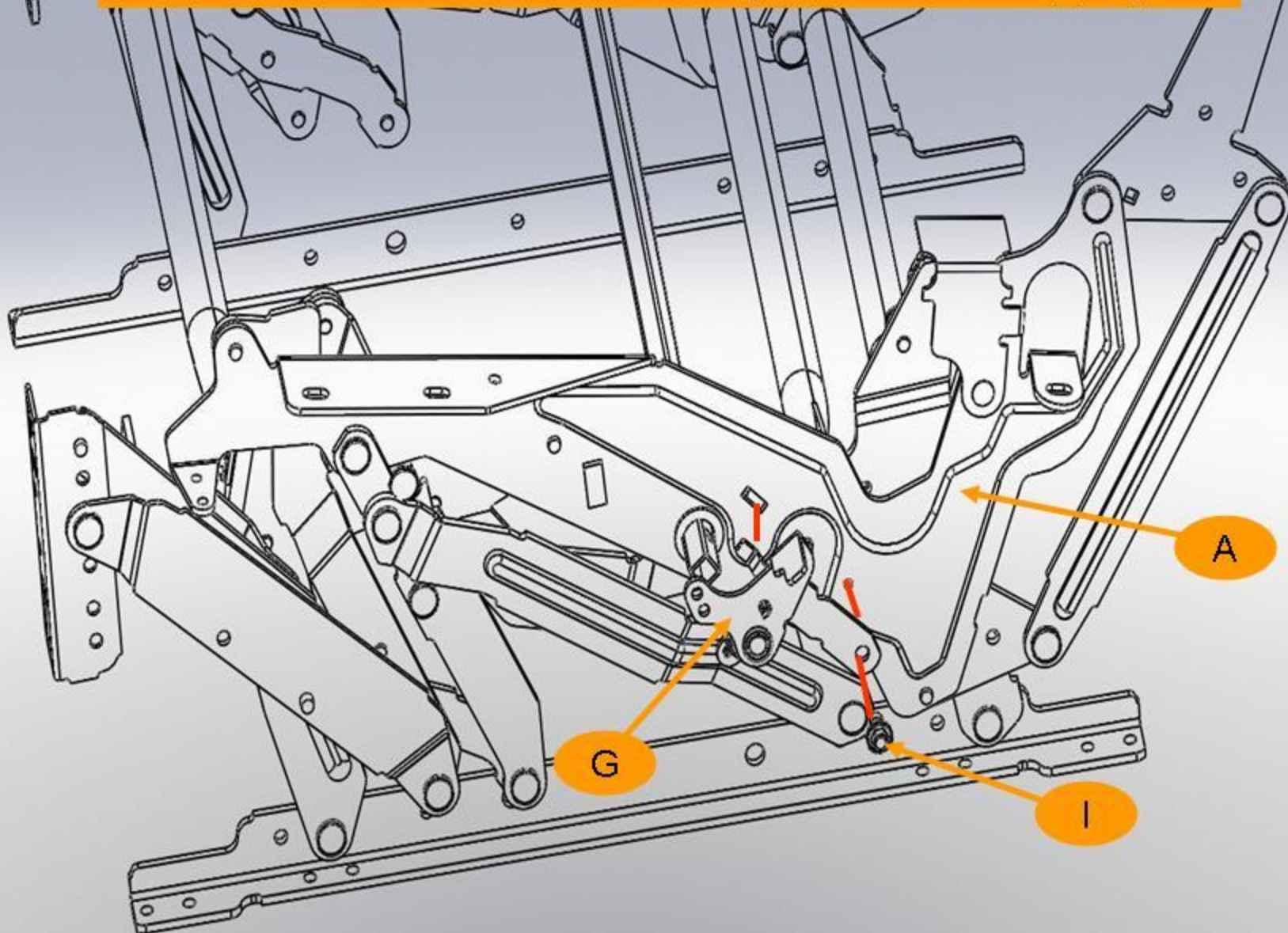
Install rear torque tube using (4) 13mm self tapping bolts.



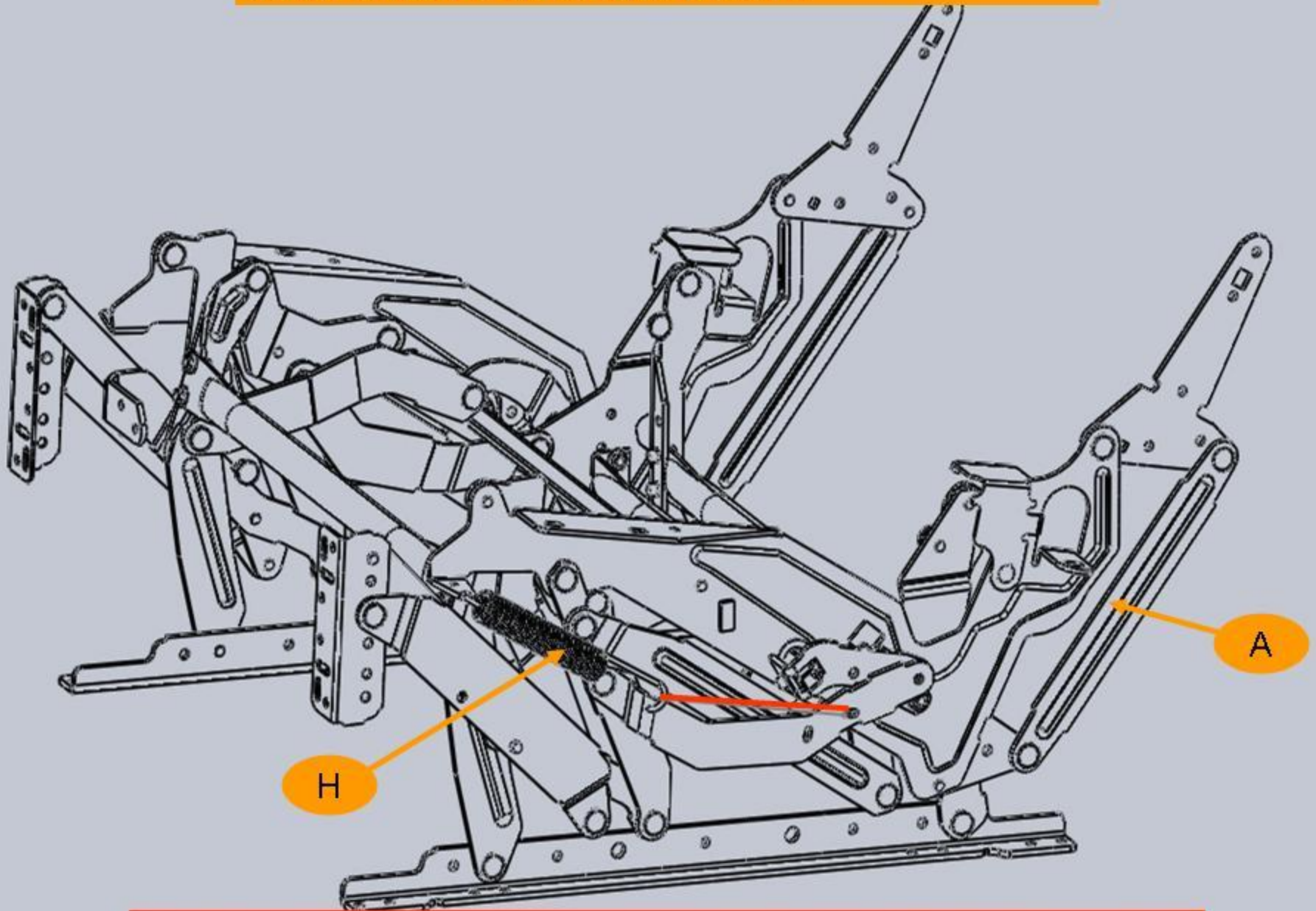
Install rear stabilizer tube using (4) 13mm self tapping bolts.



Install activator on side of mech. Using (1) 13mm self-tapping bolt.



Install mech. Springs on both sides, use outside hole,
Mech. Needs to be in open position.



MECH NEEDS TO BE IN OPEN POSITION, SHOWN IN CLOSED