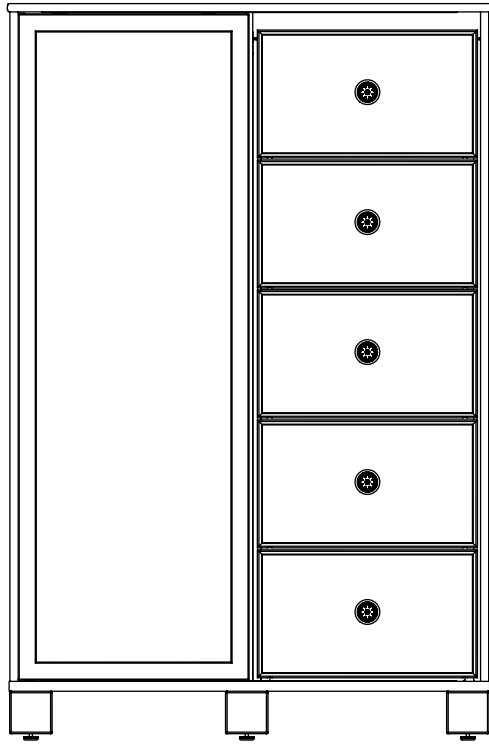




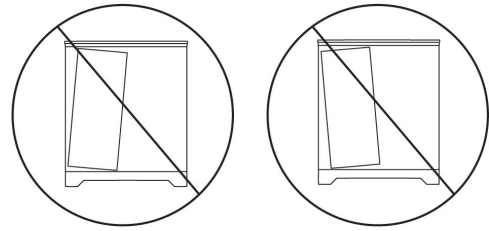
2.

---

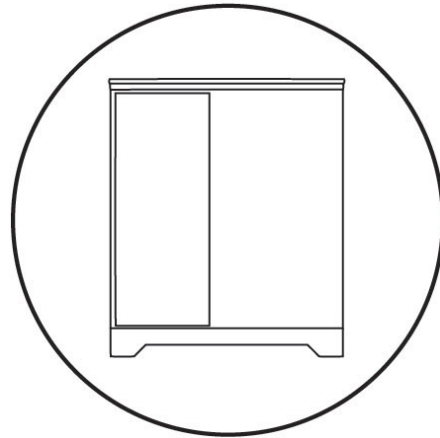
3.



See Step 4 To level unit

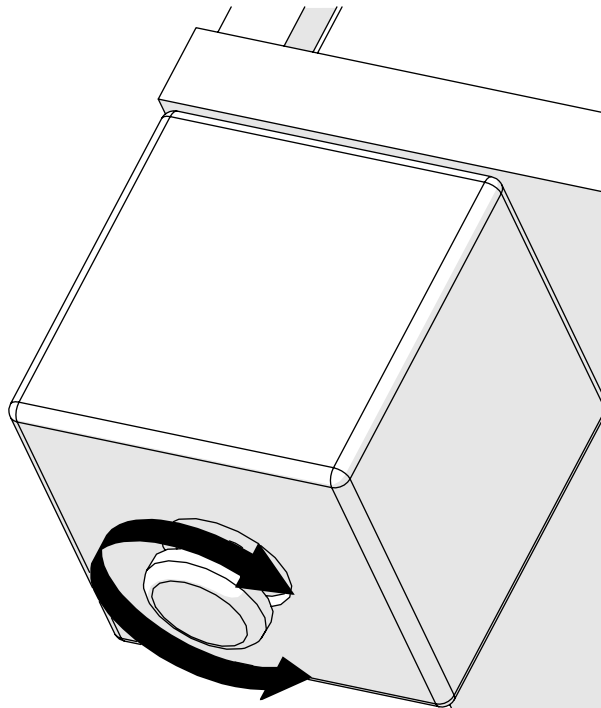


Doors Mis-Aligned (Incorrect)



Doors Aligned (Correct)

4.



Adjust levelers as needed