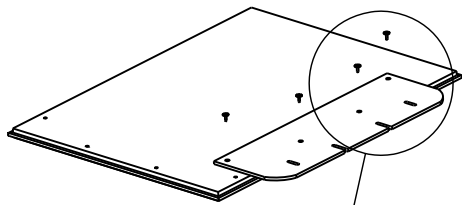
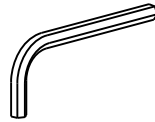
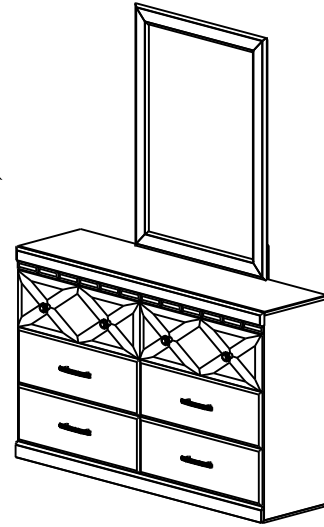
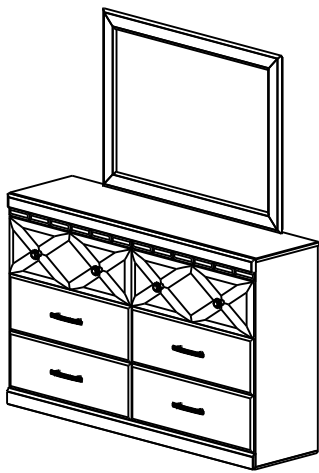
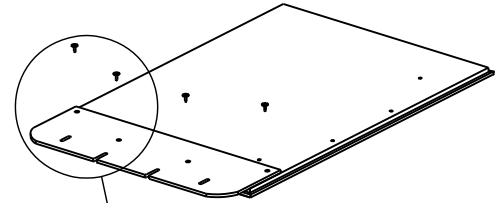
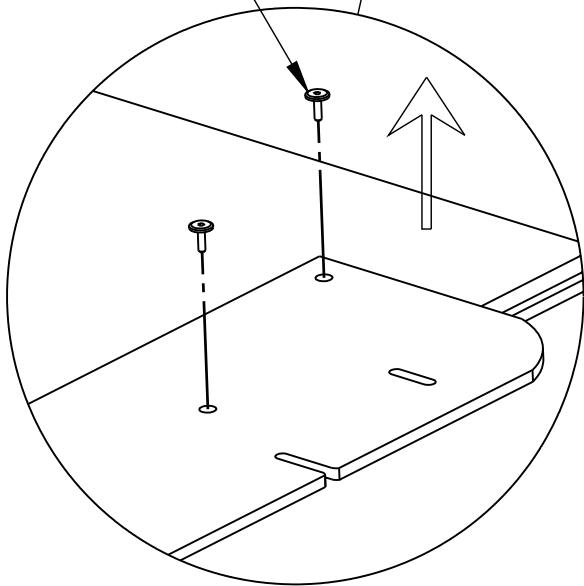


Rev.	Description	Date	Cad/Eng
------	-------------	------	---------



1/4-20 x 19
(X4)



1/4-20 x 19
(X4)

